



REFRIGERATION

# ENIXE LOUNGE EI100

## SERVE-OVER DELI COUNTER



CHILLER



R290



PLUG-IN

### FEATURES INCLUDE

- Fan forced refrigeration
- Flat lift-up front glass
- Warm white 2800k LED lighting
- Refrigerated storage area
- Stainless steel interior
- Optional 45° or 90° corner
- Black exterior



Scan here to check for Energy Efficiency Rebates in your state.



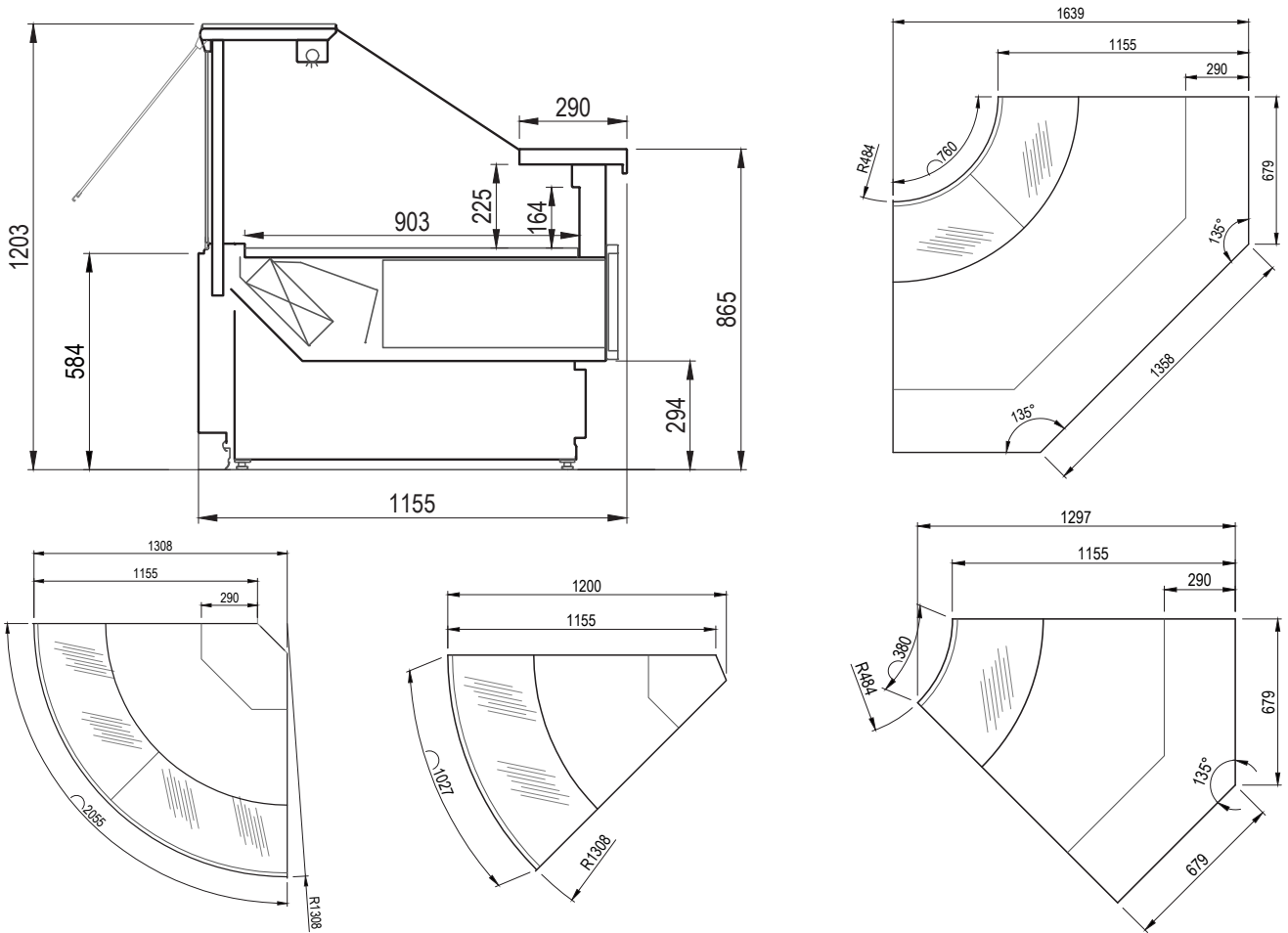
**CRIOCABIN**  
TASTE PRESERVATION

Product image not to scale.



REFRIGERATION

# CRIOCABIN: ENIXE LOUNGE EI100



ENIXE EI100 LOUNGE - DELI CASE	*937	*1250	1875	2500	3125	3750	*45° Inside corner	*90° Inside corner	*45° Outside corner	90° Outside corner
**OPERATING TEMP (°C)	+2/+4						N/A			
REFRIGERATION	Ventilated / R290									
DEFROST	Automatic / Off-cycle									
POWER SUPPLY	230V / 1Ph / 2 x 10 Amp plugs per case									
NOMINAL POWER (W)	435	445	678	776	1210	1230	430	480	472	7
ENERGY CONSUMPTION (kWh/24h)	7.8	8	12.2	14	21.7	22.1	7.7	8.6	8.5	9.3
DISPLAY SURFACE (m <sup>2</sup> )	0.84	1.13	1.69	2.25	2.81	3.38	0.48	0.72	0.96	1.44
LENGTH WITH END WALLS (mm)	1017	1330	1955	2580	3205	3830	Please refer to layouts			
ENDWALL THICKNESS (mm)	40	40	40	40	40	40	N/A	N/A	N/A	N/A
HEIGHT WITHOUT CASTORS (mm)	1200	1200	1200	1200	1200	1200	1200	1200	1200	1200
HEIGHT INCLUDING CASTORS (mm)	1260	1260	1260	1260	1260	1260	1260	1260	1260	1260
DEPTH (mm)	1155	1160	1160	1160	1160	1160	1160	1160	1160	1160
WEIGHT WITHOUT PACKAGING	150	175	220	260	340	410	160	180	160	180

\*\* Climate class 3 (25 °C, 60% R/H) | \* Ex-factory item | Corners must always be multiplexed with 2 straight sections

PERTH | BRISBANE | SYDNEY | MELBOURNE | ADELAIDE | BUNBURY

RTA: AU10320

