



# Industrial Strength Ice Machine

Kloppenberg Ice  
Dispensers with  
Manitowoc Ice Machines  
Hygienic & Easy Control





 [email@ajbaker.com.au](mailto:email@ajbaker.com.au)

 [ajbaker.com.au](http://ajbaker.com.au)

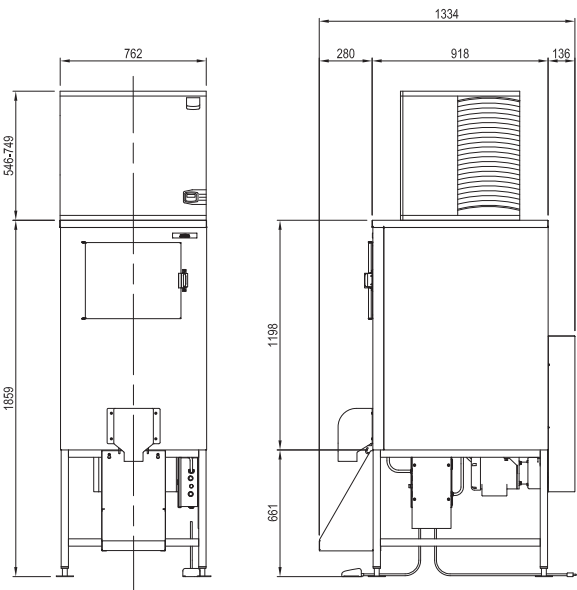
 1800 423 626

# BAKER

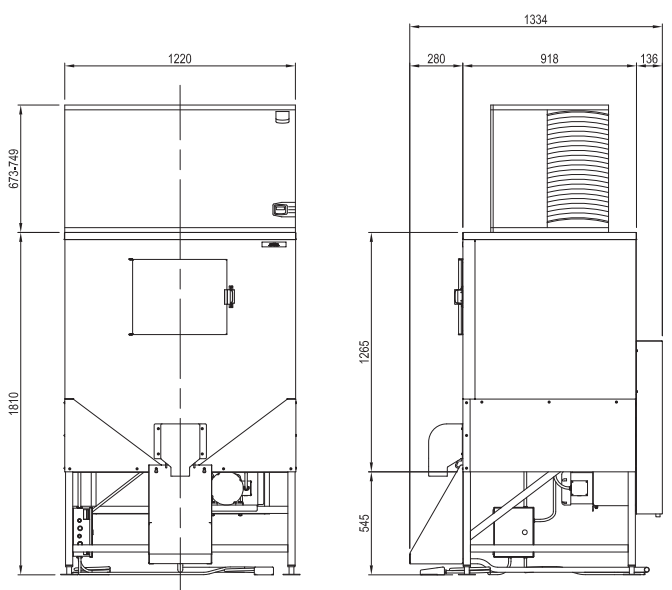
## REFRIGERATION

- Ice dispensed by the bag or container.
- Foot pedal activation makes dispensing easy and reduces risk of injury.
- Dispenses ice at a rate of 900 grams per second.
- Eliminates manual handling of the ice & minimises opportunity for contamination of the ice.
- Stainless steel internal agitator, corrosion resistant.
- Stainless steel auger, corrosion resistant.
- Stainless steel front and sides.
- Galvanised steel back & base.
- 1 x stainless steel agitator for 500 model.
- 2 x stainless steel agitators for 1000 model.
- Seamless one piece polyethylene liner 4.7mm thick.
- 38mm foamed-in-place insulation for maximum ice preservation.
- Standard 240V/1 phase power for dispenser.
- Front access door to reach bridged ice for break up.
- Safety interlock door switch prevents operation when door is open.
- Adjustable stainless steel feet.
- Stainless steel shelf for bagging ice.
- 1220mm ice paddle supplied.

Kloppenberglce Dispenser								
DISP500				DISP1000				
Manitowoc Ice Machine								
Indigo NXT Series	i-500	i-750	i-900	i-1200	-	i-1500	i-1900	
M Series	M-500	M-700	-	M-1000	-	M-1400	-	
Ice Storage (kgs)	250				450			
Dispenser Power Requirements	10A/1ph							
Ice Machine Power Requirements	10A/1ph		15A/1ph		20A/1ph (hard wired)		20A/1ph (hard wired)	
Total Height (mm)	2176		2379		2303		2379	
Total Width (mm)	762				1220			
Total Depth (mm)	1335							
Total weight ex. ice (kg)	371	388	393	403	408	622	636	



Dispenser 500 with 30" Indigo™ ice machine



Dispenser 1000 with 48" Indigo™ ice machine

Ice machine and dispenser sold separately. The information supplied in this brochure is a guide only and is subject to change without notice.