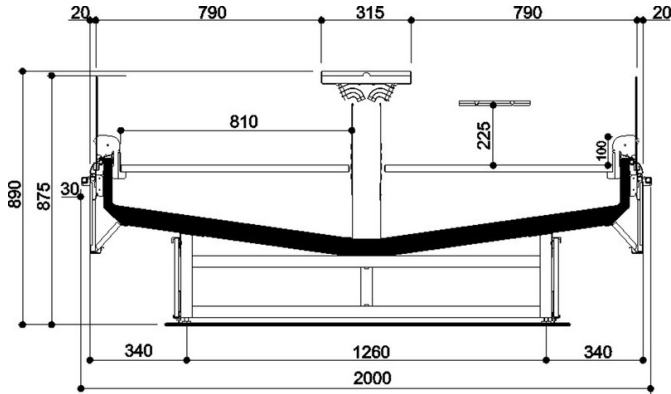


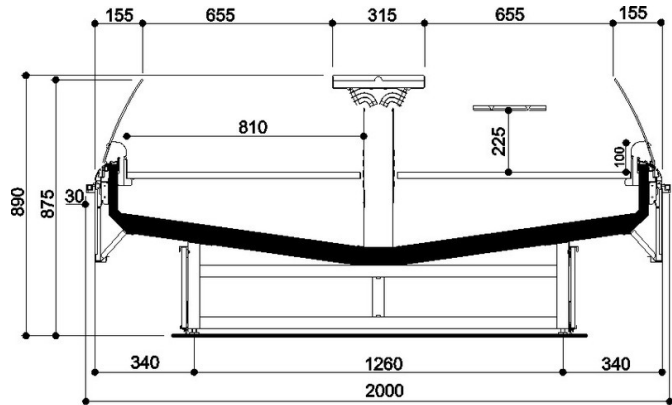


Duo Design						
Length mm		1250	1750	2500	3750	EOL2000
Duo Design	DUO DESIGN -LL 225	•	•	•	•	•
	DUO DESIGN MAX - LL 365	•	•	•	•	•

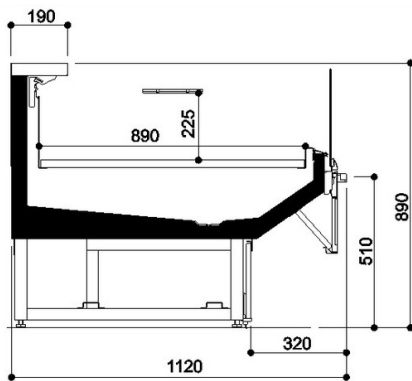
DUO MODULAR DESIGN STRIGHT GLASS



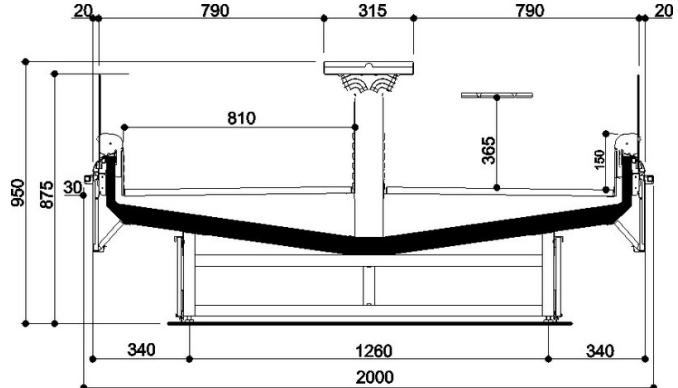
DUO MODULAR DESIGN CURVED GLASS



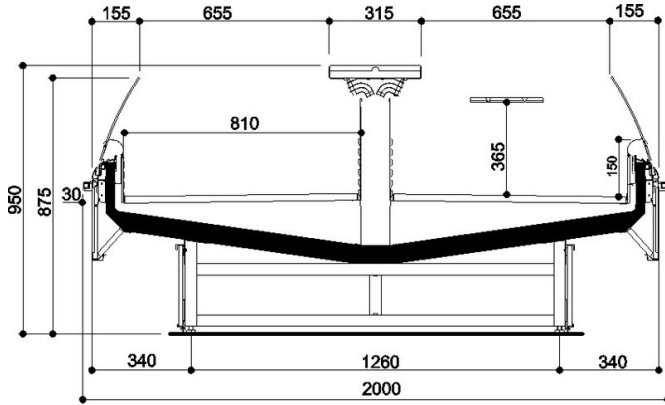
DUO MODULAR DESIGN STRIGHT GLASS - EOL



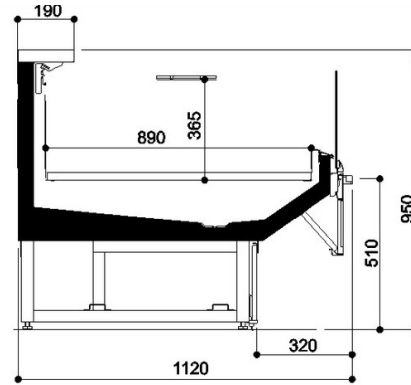
DUO MAX MODULAR DESIGN STRIGHT GLASS



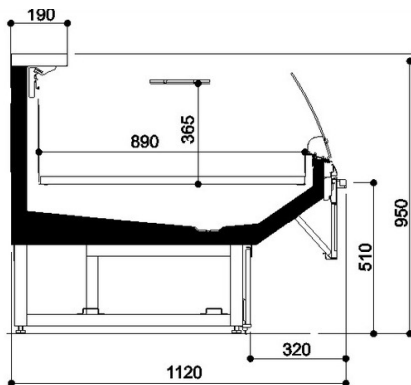
DUO MAX MODULAR DESIGN CURVED GLASS



DUO MAX MODULAR DESIGN STRIGHT GLASS - EOL



DUO MAX MODULAR DESIGN CURVED GLASS - EOL



Legend

 Meat	 Chicken	 Fish	 Pre-packed fish
 Delicatessen	 Cheese	 Dairy products	 Gastronomy
 Pastries	 Pre-packed fish	 Fruits and Vegetables	 Sandwiches
 Drinks	 Pizza	 Bread	 Frozen food and ice cream
 Off-cycle defrost	 Electric defrost	 Hot-gas defrosting system	 Manual defrost
 Ventilated	 Static	 Incorporated condensing unit	 Remote condensing unit
 Bagnomaria	 Ceramic glass	 Ice	 VSD Inverter technology
 LED lighting	 Zero C doors	 High efficiency fans	 R290 Propane refrigerant gas (R290)
 R134a - 400V/3PH/50Hz	 R404A - 400V/3PH/50Hz	 R744 - 400V/PH/50Hz	 Semi-hermetic reciprocating compressor
 Hermetic scroll compressor	 Compressor hermetic reciprocating	 External installation	 Machinery room
 Soundproof housing	 On board condenser	 Remote condenser	 DUAL Medium & Low temperature