

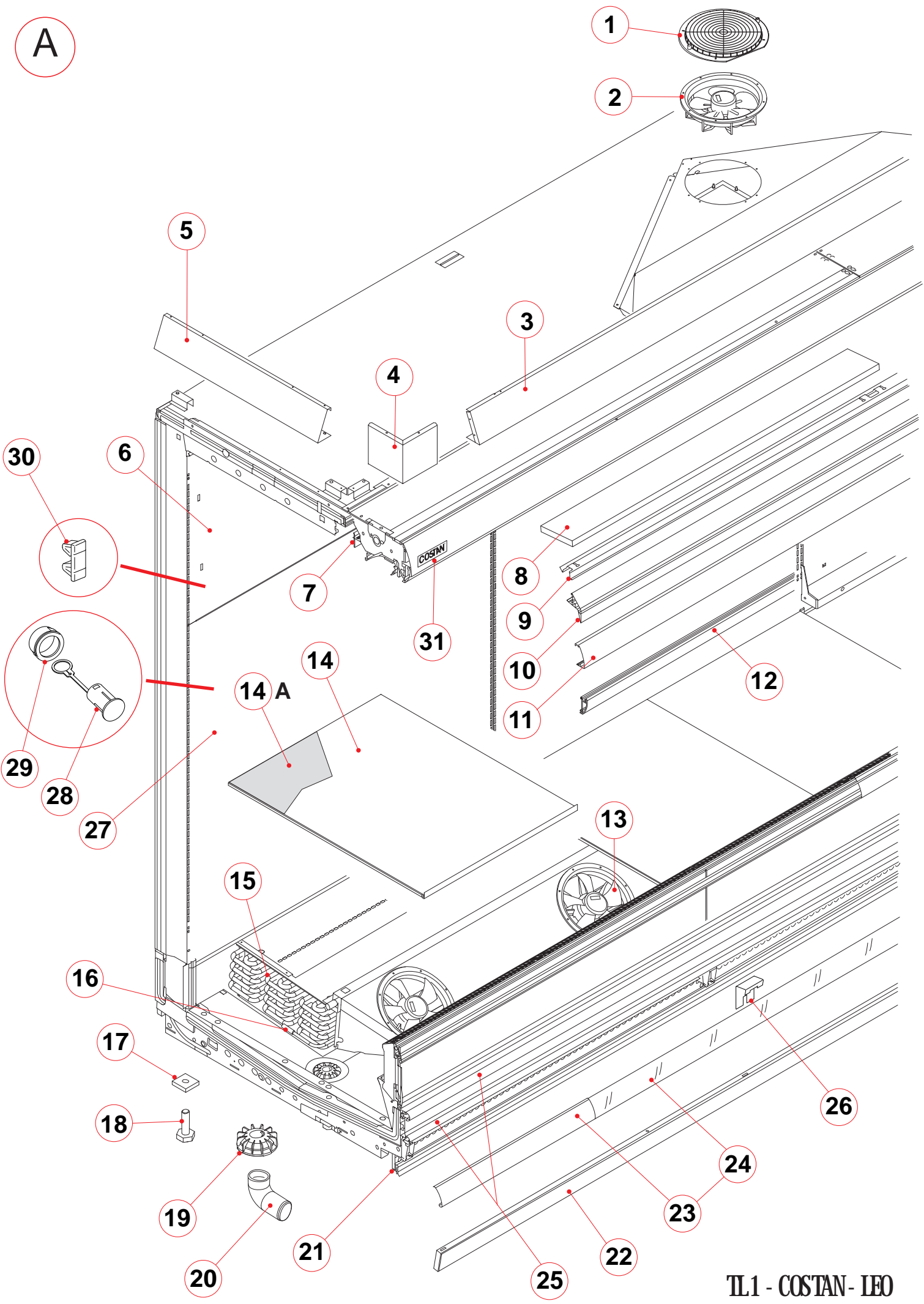
LISTA PARTI RICAMBIO
SPARE PARTS LIST NUMBERS

LION FOREST ULTRA

- LEO -



A

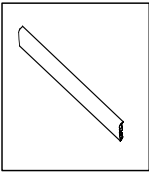
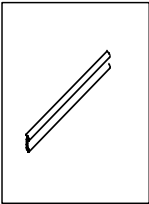


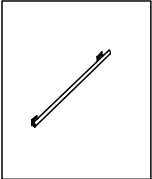


TL1 - COSTAN - LEO

TI 1 COSTAN - LEO

			125	187	250	375	MT149	MT179	MT209
1	GRIGLIA VENTILATORE Ø200 FAN COVER D200 SCHUTZGITTER VENTILATOR Ø200		118080	118080	118080	118080	118080	118080	118080
2	VENTILATORE EBM D200 EBM FAN D200	<i>HI.EFF.</i>	145788 /2	140787 /2	140787 /2	140787 /3	140787 /1	145788 /3	145788 /3
	VENTILATOR ENERGIESPAR D=200	<i>HI.EFF./HP</i>	145789 /2	145789 /3	145789 /4	145789 /6		145789 /3	145789 /3
3	COPERTURA TUBI LINEARE DC VC2 STRAIGHT TUBE COVER PM VC2 BLENDE KÄLTELEITUNG		20943N	20943Q	20943N	20943N	20943N	20943P	20943R
4	ANGOLO COPERTURA TUBI B VC2 ANGLE TUBE COVER R VC2 ECKE BLENDE KÄLTELEITUNG		20943L						
5	COPERTURA TUBI SPALLA 8 DC VC2 ENDWALL TUBE COVER 8 PM VC2 BLENDE KÄLTELEITUNG SW		20944N						
6	INTERCAPEDINE DIETRO SUP.22 TOP REAR INTERSPACE WALL 22.TL1 PM	<i>COL/COL</i>	20909N	20909L	20909N	20909N	20909N	20909Q	20909S 20909L
	LUFTLEITWAND HINTEN OBEN 22	<i>PLAS./PLAS.</i>	209093	209091	209093	209093		209095	209091 209297
	INTERCAPEDINE DIETRO SUP.20 TOP REAR INTERSPACE WALL 20.TL1 PM	<i>COL/COL</i>	20908N	20908L	20908N	20908N	20908N	20908Q	20908S 20908L
	INTERCAPEDINE DIETRO SUP.20	<i>PLAS./PLAS.</i>	209083	209081	209083	209083	209081	209085	209081 209087
7	GRIGLIA 2R VC2 2R GRILLE VC2 LUFTAUSBLAS 2.LUFTSCHLEIER		209052	209051	209052	209052	209057	209053	209051 209055
8	NIDO D'APE VC1 HONEY COMB VC1 WABEN-AUSBLAS B=84MM		112102	112101	112102	112102	112107	112103	112101 112105
	NIDO D'APE VC2 HONEYCOMB VC2 WABEN-AUSBLAS B=129MM 2. LUFTSCHLEIER		112132	112131	112132	112132	112137	112133	112131 112135
9	SUPPORTO NIDO D' APE VC2 B HONEY COMB SUPPORT VC2 WH HALTER AUSBLASWABE WEISS		20952C	20952E	20952G	20952J	20952H	20952D	20952F
10	PROFILO MANDATA VC VC AIR OUTLET SECTION LUFTLEITPROFIL VC	<i>PVC</i>	112112	112114	112116	112118	112117	112113	112115

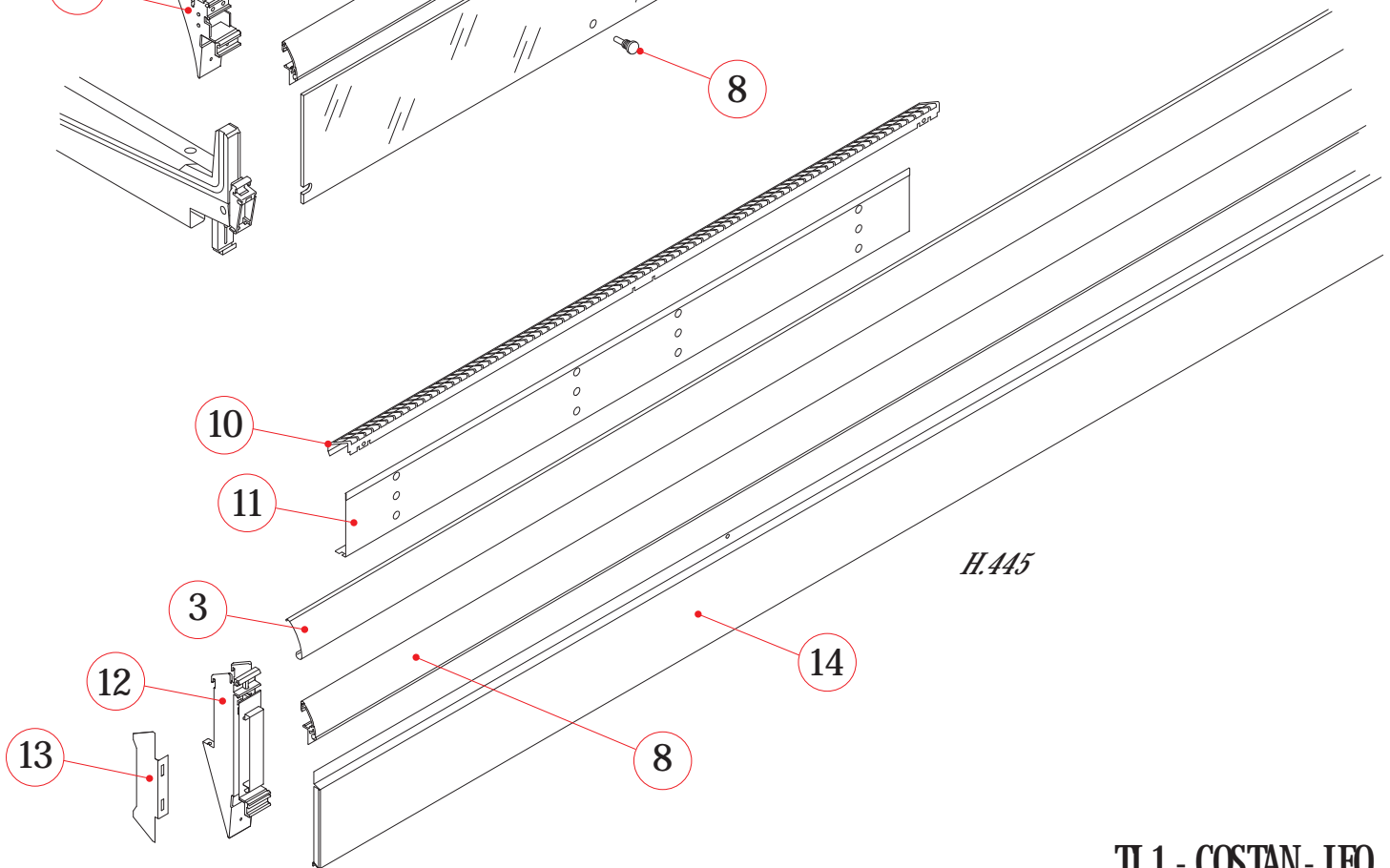
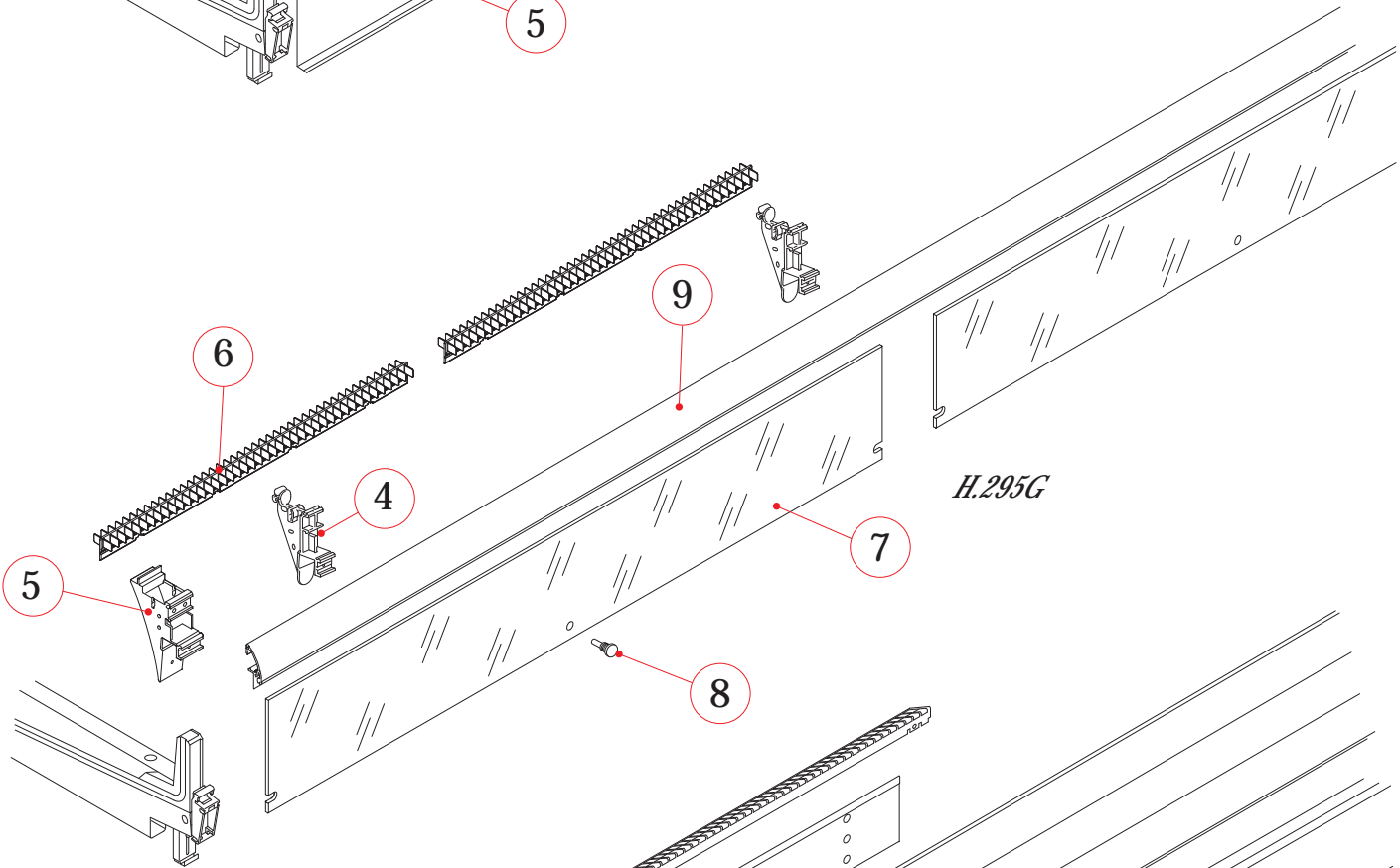
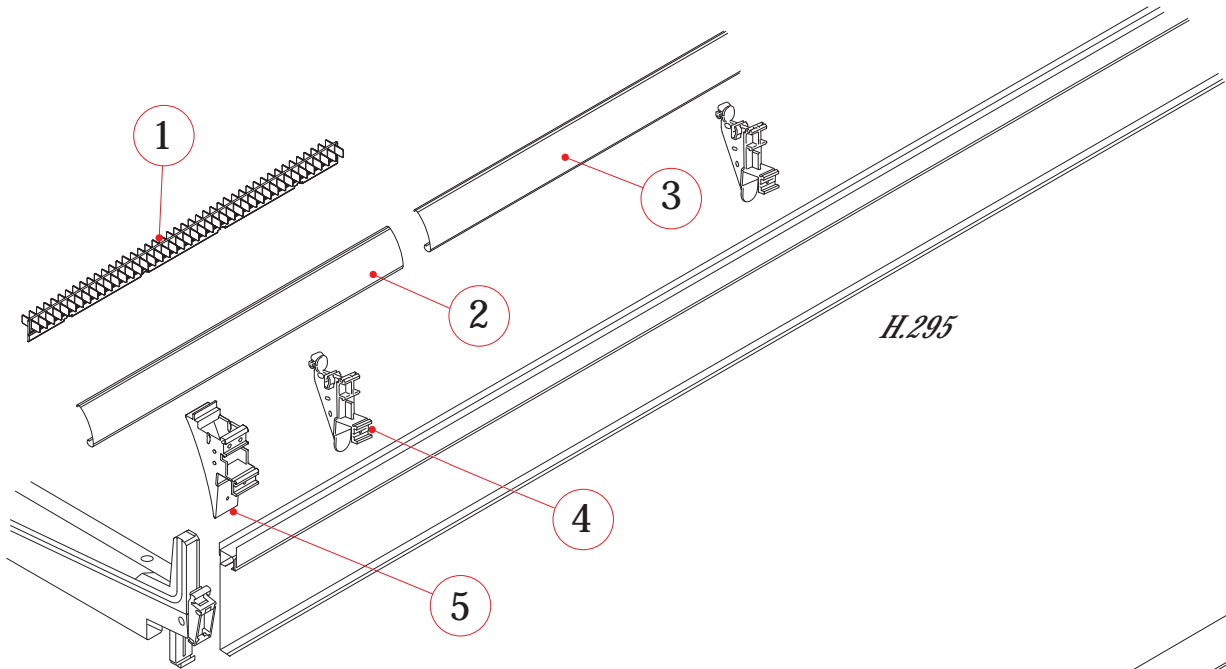
			125	187	250	375	MT149	MT179	MT209
11	CORNICE COSTAN DC CANOPY CO PM BLENDE KOPF FARBIG COSTAN		10421N	10421Q	10421S	10421U	10421T	10421P	10421R
12	COPERT.ETICHETTA VASCA BASE DECK TICKET HOLDER COVER ABDECKUNG PREISLEISTE PVC TRANSPARENT		258162	258164	258166	258168	258167	258163	258165
13	VENTILATORE EBM D200 EBM FAN D200	HI.EFF.	145788 /2	140787 /2	140787 /2	140787 /3	140787 /1	145788 /3	145788 /3
	VENTILATOR ENERGIESPAR D=200	HI.EFF./HP	145789 /2	145789 /3	145789 /4	145789 /6		145789 /3	145789 /3
14	PIANO ESPOSIZIONE TL BIANCO WHITE BASE TRAY TL BODENBLECH WEISS	505	21016A /2	21016A /3	21016A /4	21016A /6	21016D /2	21016E /2	20897G /2
		605	21016B /2	21016B /3	21016B /4	21016B /6			
		805	21016C /2	21016C /3	21016C /4	21016C /6			
	PIANO ESPOSIZIONE TL COLOR COLOUR BASE TRAY TL BODENBLECH FARBIG	505	21016L /2	21016L /3	21016L /4	21016L /6	21016P /2	21016Q /2	20897S /2
		605	21016M /2	21016M /3	21016M /4	21016M /6			
		805	21016N /2	21016N /3	21016N /4	21016N /6			
14A	ISOLANTE INSULATION PANEL ISOLIEREND	505	112450 /2	112450 /3	112450 /4	112450 /6	112453 /2		
		605	112450 /2	112450 /3	112450 /4	112450 /6		112454 /3	
		805	112451 /2 112452 /2	112451 /3 112452 /3	112451 /4 112452 /4	112451 /6 112452 /6			112123 /2 112126 /2
15	EVAPORATORE 1V 18T EVAP.18T 1 AIR CURTAIN VERDAMPFER 18ROHR 150X300		155002	155014	155016	155018	155002	155003	155013
16	RES.SBRIN. 450 W/M *** DEFROST HEATER 450 W/M *** ABTAUHEIZUNG 450 W/M ***		140375	140388	140417	140418	140375	140383	140416
17	DADO 35X35 M14 NUT 35X35 M14 FUSSMUTTER M14		105043						
18	MARTINETTO FIANCO M14 EC1 SIDE PANEL M14 SCREW JACK FUSSSCHRAUBE M14X50		250032						
19	FILTRO SCARICO ACQUA WATER OUTLET FILTER SIEBDECKEL TW-ABLAUF		114641						

			125	187	250	375	MT149	MT179	MT209
20	SCARICO ACQUA Ø40 M/M DRAIN PIPE D40 M/M TW-ABLAUFBOGEN D=40		115985						
21	ZOCCOLO METALLICO PLINTHE METAL BODENDICHTLEISTE METALL		209402	209404	209406	209408	209407	209403	209405
	GUARNIZIONE ZOCCOLO KICKPLATE BODENDICHTLEISTE	PVC	115222	115224	115226	115228	112287	112283	112285
22	PANNELLO INF.FASCIA COLOR COLOUR FRONT LOWER PANEL FRONTBLENDE FARBIG		20837N	20837Q	20837S	20837U	20837T	20837P	20837R
23	PORTA ETICHETTA MONTATO ASSEMBL. TICKET HOLDER MONTIERTE PREISLEISTE		256742	256744	256746	256748	256747	256743	256745
24	PORTA ETICHETTA MONTATO ASSEMBL. TICKET HOLDER MONTIERTE PREISLEISTE								
25	BATTICARR. FACCIATA BUMPER STAINLESS DECOR STOSSLEISTE		BUMPER PVC L1250 ENERGIA RAL7015 DARK GREY Cod.14577032 BUMPER PVC L1370 ENERGIA RAL7015 DARK GREY Cod.14577037 BUMPER PVC L1670 ENERGIA RAL7015 DARK GREY Cod.14577033 BUMPER PVC L1875 ENERGIA RAL7015 DARK GREY Cod.14577034 BUMPER PVC L2188 ENERGIA RAL7015 DARK GREY Cod.14577039 BUMPER PVC L2500 ENERGIA RAL7015 DARK GREY Cod.14577036 BUMPER PVC L3750 ENERGIA RAL7015 DARK GREY Cod.14577038						
			BUMPER ESTETICA / AESTHETIC F3000 L1250 Cod.256732 BUMPER ESTETICA / AESTHETIC F3000 L1370 Cod.256737 BUMPER ESTETICA / AESTHETIC F3000 L1670 Cod.256733 BUMPER ESTETICA / AESTHETIC F3000 L1875 Cod.256734 BUMPER ESTETICA / AESTHETIC F3000 L2188 Cod.25673H BUMPER ESTETICA / AESTHETIC F3000 L2500 Cod.256736 BUMPER ESTETICA / AESTHETIC F3000 L3750 Cod.256738						

25	BATTICARR. FACCIATA BUMPER STAINLESS DECOR STOSSLEISTE		BUMPER FORMAT TUBE INOX L1250 Cod.104062 BUMPER FORMAT TUBE INOX L1670 Cod.104063 BUMPER FORMAT TUBE INOX L1875 Cod.104064 BUMPER FORMAT TUBE INOX L2188 Cod.104065 BUMPER FORMAT TUBE INOX L2500 Cod.104066 BUMPER FORMAT TUBE INOX L3750 Cod.104068						
			BUMPER PVC RAL 5010 BLUE L1250 Cod.11458F BUMPER PVC RAL 5010 BLUE L1875 Cod.11458H BUMPER PVC RAL 5010 BLUE L2188 Cod.11458M BUMPER PVC RAL 5010 BLUE L2500 Cod.11458J BUMPER PVC RAL 5010 BLUE L3750 Cod.11458L						
				BUMPER SX/LH L38 ENERGIA RAL7015 DARK GREY Cod.14588001					
				BUMPER DX/RH L38 ENERGIA RAL7015 DARK GREY Cod.14588002					
		SX / LH	DX / RH						

			125	187	250	375	MT149	MT179	MT209
26	ARRESTO TENDINA NOTTE STOP NIGTH BLIND ARRETIERUNG HANDROLLOACHSE		208998						
27	COND. DIETRO BASSO TL1 DC TL1 SHEAT BACK. DOWN PM	COL./COL.	20906N	20906L	20906N	20906N	20906S	20906Q	20906S 20906L
	LUFTLEITWAND HINTEN	PLAS./PLAS.	210203	210191	210203	210203	210198	210194	210091 210206
28	TAPPO PASSACAVO SHELF POWER CABLE CAP LOCHABDECKUNG		142640						
29	PASSACAVO WIRE BUSHING KABELDURCHFÜHRUNG		142067						
30	CLIP CONDOTTO INNER WALL CLIP CLIP LUFTLEITWAND HINTEN		115459						
31	TARGHETTA COSTAN COSTAN NAMEPLATE FIRMENSCHILD COSTAN		119343						

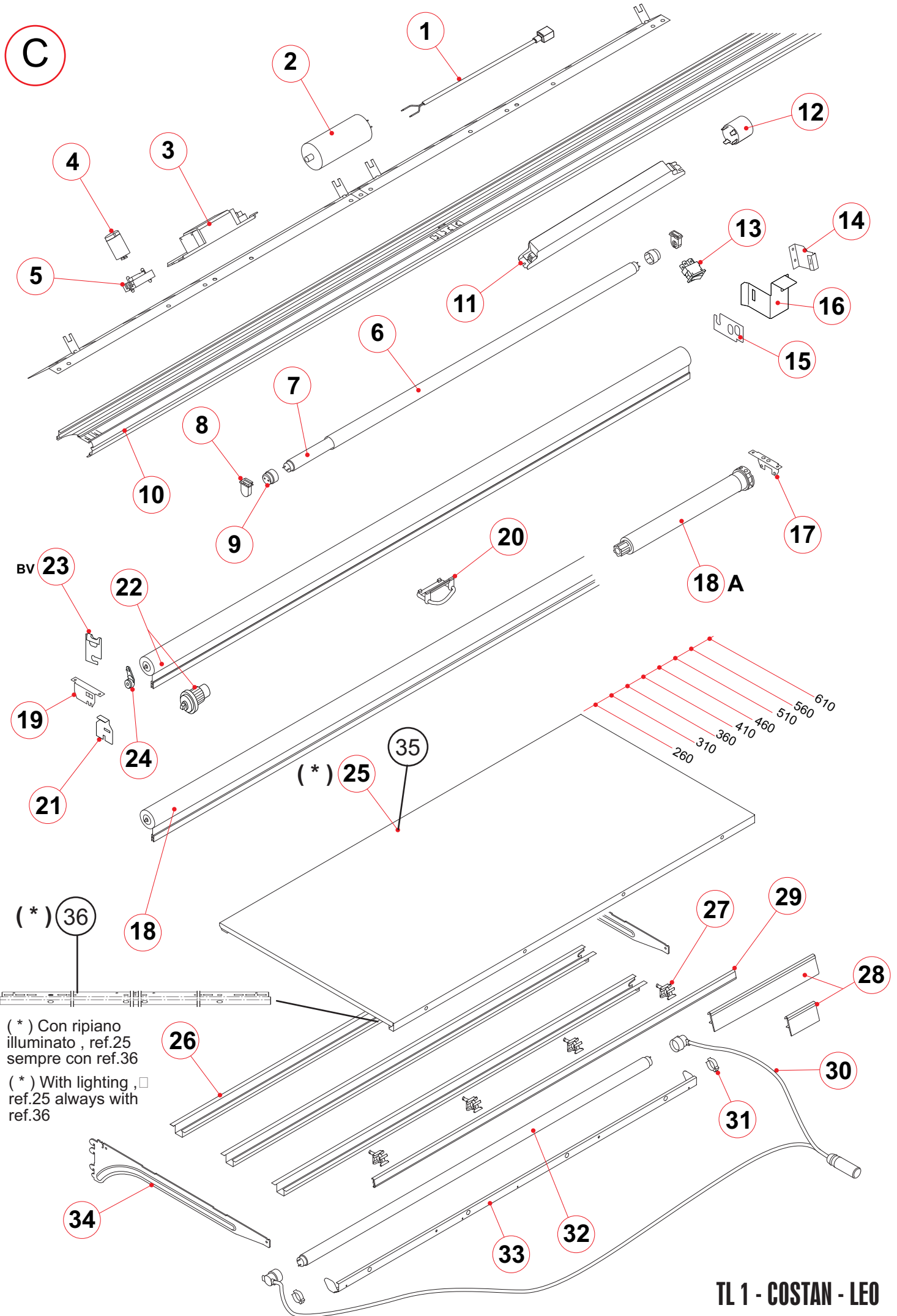
B



TI 1 COSTAN - LEO

			125	187	250	375	MT 149	MT 179	MT 209	
1	GRIGLIA RIPRESA ARIA AIR INLET GRILLE ANSAUGGITTER	L.455					112092 / 3			
		L.491							112091 / 4	
		L.555						112093 / 3		
		L.625	114448 / 2	114448 / 3	114448 / 4	114448 / 6				
2	PORTA ETICHETTA MONTATO ASSEMBL. TICKET HOLDER PREISLEISTE		256742	256744	256746	256748	256747	256743	256745	
3	PORTA ETICHETTA MONTATO ASSEMBL. TICKET HOLDER PREISLEISTE		256742	256744	256746	256748	256747	256743	256745	
4	SUPP. INTERMEDIO FRONTALE 295 MIDDLE FRONT HOLDER 295 HALTER MITTE FRONT 295		114446							
5	PORTA RIPRESA 295 AIR INLET HOLDER 295 HALTER LUFTANSAUG FRONT R/295		114449							
6	GRIGLIA RIPRESA ARIA AIR INLET GRILLE ANSAUGGITTER	L.455					112092 / 3			
		L.491							112091 / 4	
		L.555						112093 / 3		
		L.625	114448 / 2	114448 / 3	114448 / 4	114448 / 6				
7	VETRO FACCIATA 445 FRONT GLASS 445 SCHEIBE FRONT 445		125372	125371	125372	125372	125377	125373	125379	
8	FISSAGGIO SUPERIORE FIANCO UPPER ENDWALL FASTENER BEF.SCHRAUBE SCHEIBE		116275							
9	PORTA FACCIATA VETRATA GLASS FRONT HOLDER HALTESCHIENE GLAS FRONT RV/295G		114752	114754	114756	114758	114757	114753	114755	
10	GRIGLIA FRONTALE 450 RAL7047 450 FRONT INLET RAL7047 ANSAUGGITTER FRONT I / 445 RAL7047		20984C	20984B	20984C	20984C	20984C	20984P	20984F	
11	COND.DIETRO FRONT.450 RAL7047 FRONT INTERSPACE WALL R RAL7047 450 LUFTLEITBLECH VORNE FRONT I / 445 RAL7047		20965C	20965B	20965C	20965C	20965C	20965D	20965F	

		125	187	250	375	MT 149	MT 179	MT 209
12	PORTA RIPRESA 450 B RAL7047 AIR RETURN 445 HOLDER HALTER LUFTANSAUG FRONT	114447						
13	ESTREMITA FRONTALE 450 B 7 RAL 7047 FRONT END PIECE 450 R RAL7047 ENDSTÜCK FRONT I / 445 RAL7047	20965K						
14	PANNELLO FACCIATA 450 LG B FRONT PANEL 450 LG PM BLENDE - FRONT I / 445 FARBIG	20964N	20964Q	20964S	20964U	20964N	20964P	20964R



(*) Con ripiano illuminato, ref.25 sempre con ref.36
 (*) With lighting, ref.25 always with ref.36

TI 1 COSTAN - LEO

			125	187	250	375	MT 149	MT 179	MT 209
1	CAVO ALIMENTAZIONE CONNECTING CABLE ANSCHLUSS RÖHRE		149758						
2	CONDENSATORE 1.27.6CC3 25MFD CAPACITOR 1.27.6CC3 25MFD KONDENSATOR 1.27.6CC3 25µF		140150						
3	REATTORE 36W 230V 50HZ BALLAST 36W 230V 50HZ VORSCHALTGERÄT 36W 230V 50HZ		140710						
4	STARTER STARTER STARTER S10 4-65W		140029						
5	SUPPORTO STARTER ART.17 STARTER SUPPORT ART.17 STARTERFASSUNG VS		140046						
6	PROTEZIONE LAMPADA Ø16 LAMP PROTECTION Ø16 L.1150 SCHUTZROHR LEUCHTSTOFFRÖHRE Ø16		115152	115151	115152	115152	115152	115152	115151
	PROTEZIONE LAMPADA Ø26 LAMP PROTECTION Ø26 SCHUTZROHR LEUCHTSTOFFRÖHRE Ø26		115064	115062	115064	115064	115064	115064	115062
7	LAMPADA NEON Ø26 LAMP NEON Ø26 LEUCHTSTOFFRÖHRE Ø 26	83	140214	140211	140214			140211	
		NAT.NAT	140044	140042	140044			140042	
		33/30W	140054	140052	140054			140052	
	LAMPADA NEON Ø16 LAMP NEON Ø16 LEUCHTSTOFFRÖHRE Ø 16	83/21W	140117	140116	140117			140116	
		21/W/ NAT.	140882	140881	140882			140881	
		39/30W	140995	140994	140995			140994	
		39/W NAT.	140985	140984	140985			140984	
8	PORTALAMPADA Ø16 LAMPHOLDER H23 FASSUNG LEUCHTSTOFFRÖHRE Ø16		140915						
9	TESTATINA PROT. LAMPADA LAMP PROTECTION END PIECE ENDKAPPE SCHUTZROHR		115070 (Ø26)						
10	RIFLETTORE ILLUM. LIGHT REFLECTOR REFLEKTOR		104222	104224	104226	104228	104221	104223	104225
11	REATTORE ELETTRONICO ELECTRONICH BALLAST VORSCHALTGERÄT ELEKTRONISCH		140916				140910		140916

		125	187	250	375	MT 149	MT 179	MT 209
12	FILTRO FILTER FILTER				142009			
13	INTER.BIPOLARE 60.2 (C2-T2) (A641) BIPOLAR SWITCH 60.2 (C2-T2) (A641) SCHALTER BELEUCHTUNG ZWEIPOLIG 10A				140690			
14	SUPP.CENT.TENDA MANUALE VC2 MANUAL BLIND MIDDLE HOLDER VC2 HALTER MITTE HANDROLLO				208005			
15	GUIDA TENDA NOTTE BV NIGHT BLIND GUIDE BV HALTER NACHTROLLO				208146			
16	SUPP. DESTRO TENDA N. BV NIGHT BLIND R. HOLDER BV HALTER RECHTS HANDROLLO				208145			
17	SUPPORTO TENDA NOTTE ELETT ELECTR. NIGHT BLIND HOLDER HALTER MOTORROLLO				208003			
18	MOTORE TENDA NOTTE CABL. WIRED NIGHT BLIND MOTOR MOTOR NACHTROLLO				149334			
	TENDA NOTTE MOTORIZZATA ELECTR. NIGHT BLIND NACHTROLLO	175532 (*) (* > 7/2011 20172012)	175534 (*) (* > 7/2011 20172014)	175536 (*) (* > 7/2011 20172016)	175538 (*) (* > 7/2011 20172018)	175531 (*) (* > 7/2011 20172020)	175533 (*) (* > 7/2011 20172013)	175535
	TENDA NOTTE EL.ZAVORRATA TRASCINATA WEIGHT.ELECT. DRAGGED NIGHT BLIND ANREIHROLLO NACHTROLLO	175532 (*)	175534 (*)	175536 (*)	175538 (*)	175531 (*)	175533 (*)	175535
19	SUPPORTO TENDA NOTTE MANUALE MANUAL NIGHT BLIND HOLDER HALTER HANDROLLO				208004 - SX 208000 - DX			
20	MANIGLIA PER TENDINA MANUALE MANUAL BLIND HANDLE ITI HANDGRIFF HANDROLLO				112149			
21	BLOCCO TENDINA DI NOTTE NIGHT BLIND STOP BOLT ARRETIERUNG HANDROLLOACHSE				208039			
22	TENDA NOTTE MANUALE MANUAL NIGHT BLIND NACHTROLLO	175552	175554	175556	175554	175551	175553	175555
		FRENO / STOP		166526				
24	ANELLO FERMA TENDINA NIGHT BLIND RING STOP ARRETIERUNG RING HANDROLLOACHSE				582120028			

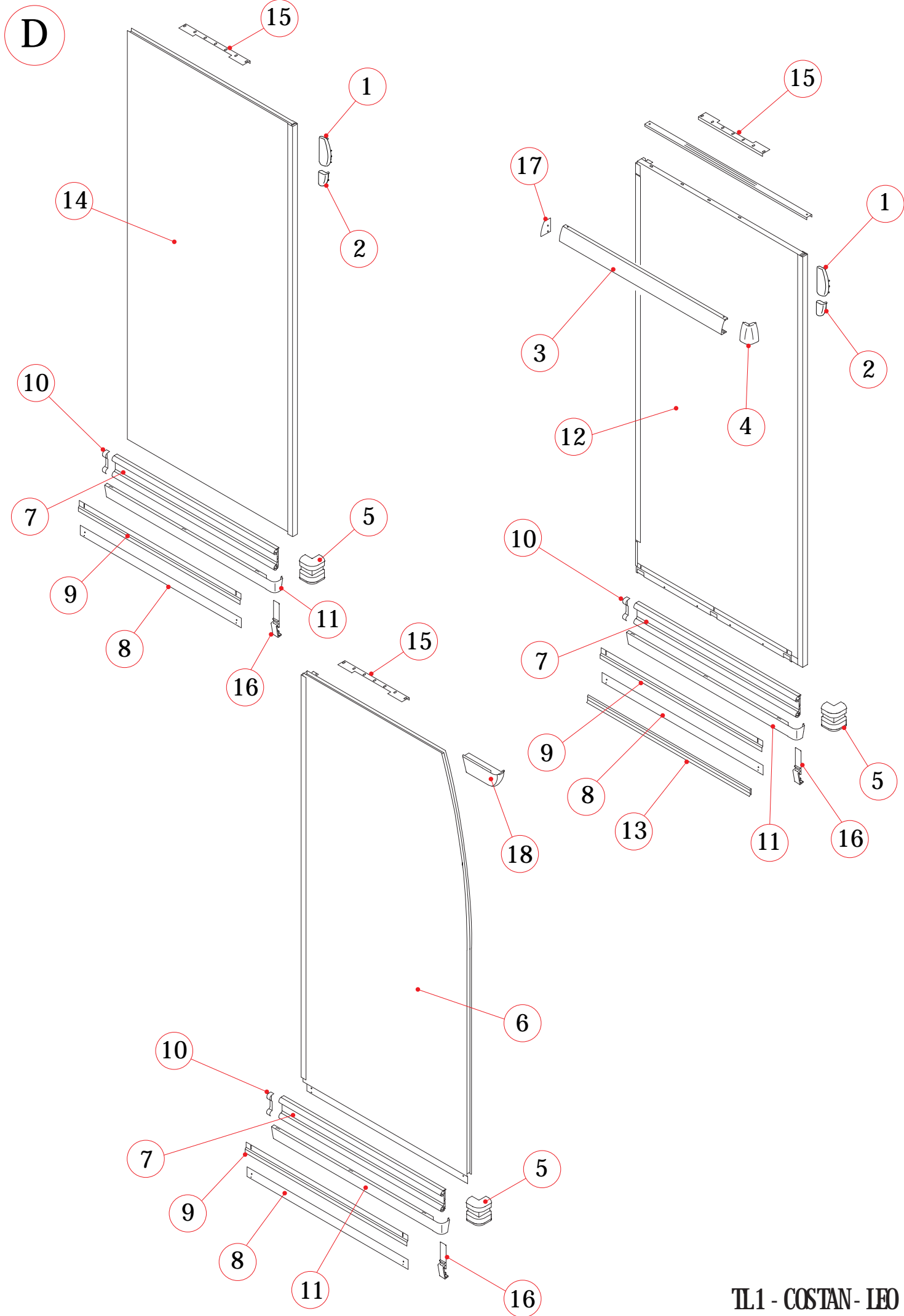
			125	187	250	375	MT 149	MT 179	MT 209
25	RIPIANO VERNICIATO BIANCO SHELF PANEL PU ETAGERENBLECH WEISS	L.260	20861C	20861B	20861C	20861C	20861H	20861D	20861F
		L.310	20862C	20862B	20862C	20862C	20862D	20862H	20862F
		L.360	20863C	20863B	20863C	20863C	20863H	20863D	20863F
		L.410	20864C	20864B	20864C	20864C	20864H	20864D	20864F
		L.460	20865C	20865B	20865C	20865C		20865D	20865F
		L.510	20866C	20866B	20866C	20866C		20866D	20866F
		L.560	20867C	20867B	20867C	20867C		20867D	20869F
	L.610	20868C	20868B	20868C	20868C			20868F	
	RIPIANO VERNICIATO MULTICOLOR SHELF PANEL PM ETAGERENBLECH FARBIG	L.260	20861N	20861M	20861N	20861N	20861P	20861T	20861R
		L.310	20862N	20862M	20862N	20862N	20862T	20862P	20862R
		L.360	20863N	20863M	20863N	20863N	20863T	20863P	20863R
		L.410	20864N	20864M	20864N	20864N	20864T	20864P	20864R
		L.460	20865N	20865M	20865N	20865N		20865P	20865R
		L.510	20866N	20866M	20866N	20866N		20866P	20866R
L.560		20867N	20867M	20867N	20867N		20867P	20869R	
L.610	20868N	20868M	20868N	20868N			20868R		
26	RINFORZO FRONT. RIPIANI BIANCO FRONT SHELF STRENGTHENER PU VERSTÄRKUNG ETAGERE WEISS	L.260	20869C	20869B	20869C	20869C	20869H	20869D	20869F
		L.310	20862C	20862B	20862C	20862C	20862D	20862H	20862F
		L.360	20869C	20869B	20869C	20869C	20869H	20869D	20869F
		L.410	20869C	20869B	20869C	20869C	20869H	20869D	20869F
		L.460	20869C	20869B	20869C	20869C		20869D	20869F
		L.510	20869C	20869B	20869C	20869C		20869D	20869F
		L.560	20869C	20869B	20869C	20869C		20869D	20869F
	L.610	20869C	20869B	20869C	20869C			20869F	
	RINFORZO FRONT. RIPIANI 094 MULTICOL FRONT SHELF STRENGTHENER 094 PM VERSTÄRKUNG ETAGERE FARBIG	L.260	20869N	20869M	20869N	20869N	20869T	20869P	20869R
		L.310	20869N	20869M	20869N	20869N	20869T	20869P	20869R
		L.360	20869N	20869M	20869N	20869N	20869T	20869P	20869R
		L.410	20869N	20869M	20869N	20869N	20869T	20869P	20869R
		L.460	20869N	20869M	20869N	20869N		20869P	20869R
		L.510	20869N	20869M	20869N	20869N		20869P	20869R
L.560		20869N	20869M	20869N	20869N		20869P	20869R	
L.610	20869N	20869M	20869N	20869N			20869R		
27	GANCIO PORTA ETICHET.BIANCO TICKET HOLDER HOOK WHITE HALTER PREISLEISTE		114688						

			125	187	250	375	MT 149	MT 179	MT 209
28	SUPPORTO PORTA ETICHETTE TICKET HOLDER SUPPORT ALU. PREISSCHIENE	B/W COL./COL	3189912 3189922	3189915 3189925	3189912 3189922	3189912 3189922	10439H 10439T	10439D 10439P	10439D 115241
	PORTAPREZZI SCANNER / 25mm TICKET HOLDER SCANNER /25mm PREISLEISTE SCANNER /25mm	B/W COL./COL	112012	112011	112012	112012	112017	112013	
29	PORTAPREZZI SCANNER / 40mm TICKET HOLDER SCANNER /40mm PREISLEISTE SCANNER /40mm	B/W COL./COL	115132	115131	115132	115132	11513C	11513A	10450F
	PORTAPREZZI SCANNER / 60mm TICKET HOLDER SCANNER /60mm PREISLEISTE SCANNER /60mm	B / W	112192	112191	112192	112192	112197	112193	112195
	PORTAPREZZI SEQUENZIALE SEQUENT. TICKET HOLDER	B/W COL./COL	115130	115130	115130	115130	115130	115130	115130
	ARTICULATED PREISLEISTE								
30	CAVO ILLUMIN.RIPIANO Ø26 SHELF LIGHT POWER CABLE Ø26 ANSCHLUSS T8-RÖHRE ETAGERE Ø26	PER RIPIANI FOR SHLFS FUR ETAGERE	142745	142745	142745	142745	142745	142746	142745
	CAVO ILLUMIN.RIPIANO Ø16 SHELF LIGHT POWER CABLE Ø16 ANSCHLUSS T8-RÖHRE ETAGERE Ø16	PER RIPIANI FOR SHELFs FUR ETAGERE	142590	142762	142590	142590	142590	142639	142762
31	ANELLO SUPPORTO LAMP.Ø26 LAMP RING HOLDER 26 BEF. CLIP LEUCHTRÖHRE T8 Ø26		130085						
32	LAMPADA NEON Ø16 H. EFF. 21/28W LAMP. Ø16 H. EFF. LEUCHTSTOFFRÖHRE 83 Ø16		140117	140116	140117	140117	140117	140117	140116
	LAMPADA NEON Ø 16 H.P. 39/54W LAMPE HO Ø16 LEUCHTSTOFFRÖHRE HO 840 Ø16		140995	140994	140995	140995	140995	140995	140994
	LAMPADA NEON Ø 26 STD 50Hz/60Hz LAMP. TLD Ø26 STD 50 Hz/60Hz LEUCHTSTOFFRÖHRE Ø 26 STD 60Hz		140054	140052	140054	140054	140054	140054	140052
33	RIGHELLO ILLUM.RIP.T8	L.094	20932M						
	LIGHTED SHELF T8 HOLDER	L.103	20932R						
	LEUCHTSTOFFRÖHRE Ø 26 STD 60Hz	L.125	20932N						
		L.137	20932T						
		L.167	20932P						

			125	187	250	375	MT 149	MT 179	MT 209
34	MENSOLA VERNICIATA BIANCO SHELF BRACKET PU TL1 KONSOLE ETAGERE HORIZONTAL WEISS	L.260					20832H		
		L.310					20832A		
		L.360					20832B		
		L.410					20832C		
		L.460					20832D		
		L.510					20832E		
		L.560					20832F		
		L.610					20832G		
	MENSOLA VERNICIATA MULTICOLOR SHELF BRACKET PM TL1 KONSOLE ETAGERE HORIZONTAL FARBIG	L.260					20832T		
		L.310					20832L		
		L.360					20832M		
		L.410					20832N		
		L.460					20832P		
		L.510					20832Q		
34	MENSOLA RECLINABILE VERN. BIANCA INCLIN. SHELF BRACKET P W TL1 ZURÜCKKLAPPBARE KONSOLE ETAGERE WEISS	L.260					20833T		
		L.310					20833L		
		L.360					20833M		
		L.410					20833N		
		L.460					20833P		
		L.510					20833Q		
		L.560					20833R		
		L.610					20833S		
	MENSOLA RECLINABILE VERNICIATA COLOUR INCLIN. SHELF BRACKET PM TL1 ZURÜCKKLAPPBARE KONSOLE ETAGERE FARBIG	L.260					20833H		
		L.310					20833A		
		L.360					20833B		
		L.410					20833C		
		L.460					20833D		
		L.510					20833E		
	L.560					20833F			
	L.610					20833G			

		VERNICIATO BIANCO / SHELF PANEL WHITE PU / ETAGERENBLECH WEISS				VERNICIATO MULTICOLOR / SHELF PAINTED COLOR PM / ETAGERENBLECH FARBIG			
		94	125	167	137	94	125	167	137
35	RIPIANO SALDATO 250 WELDED SHELF 250 ETAGEREN GEREGELT 250	25650B	25650C	25650D	13894A31	25650M	25650N	25650P	13894Z31
	RIPIANO SALDATO 300 WELDED SHELF 300 ETAGEREN GEREGELT 300	25651B	25651C	25651D	13894A32	25651M	25651N	25651P	13894Z32
	RIPIANO SALDATO 350 WELDED SHELF 350 ETAGEREN GEREGELT 350	25652B	25652C	25652D	13894A33	25652M	25652N	25652P	13894Z33
	RIPIANO SALDATO 400 WELDED SHELF 400 ETAGEREN GEREGELT 400	25653B	25653C	25653D	13894A34	25653M	25653N	25653P	13894Z34
	RIPIANO SALDATO 450 WELDED SHELF 450 ETAGEREN GEREGELT 450	25654B	25654C	25654D		25654M	25654N	25654P	
	RIPIANO SALDATO 500 WELDED SHELF 500 ETAGEREN GEREGELT 500	25655B	25655C	25655D		25655M	25655N	25655P	
	RIPIANO SALDATO 550 WELDED SHELF 550 ETAGEREN GEREGELT 550	25656B	25656C	25656D		25656M	25656N	25656P	
	RIPIANO SALDATO 600 WELDED SHELF 600 ETAGEREN GEREGELT 600	25658B	25658C	25658D		25658M	25658N	25658P	

SEMPRE CON Ref.25 / ALWAYS WITH Ref. 25		GREZZO - ROUGH	UNICOLOR BIANCO - WHITE	MULTI COLOR	RAL 9007
36	RINFORZO FRONTALE RIPIANI FRONT SHELF REINFORCE PREISLEISTENHALTER ADAPT - PROFIL	208692	20869C	20869N	20969X



TI 1 COSTAN - LEO

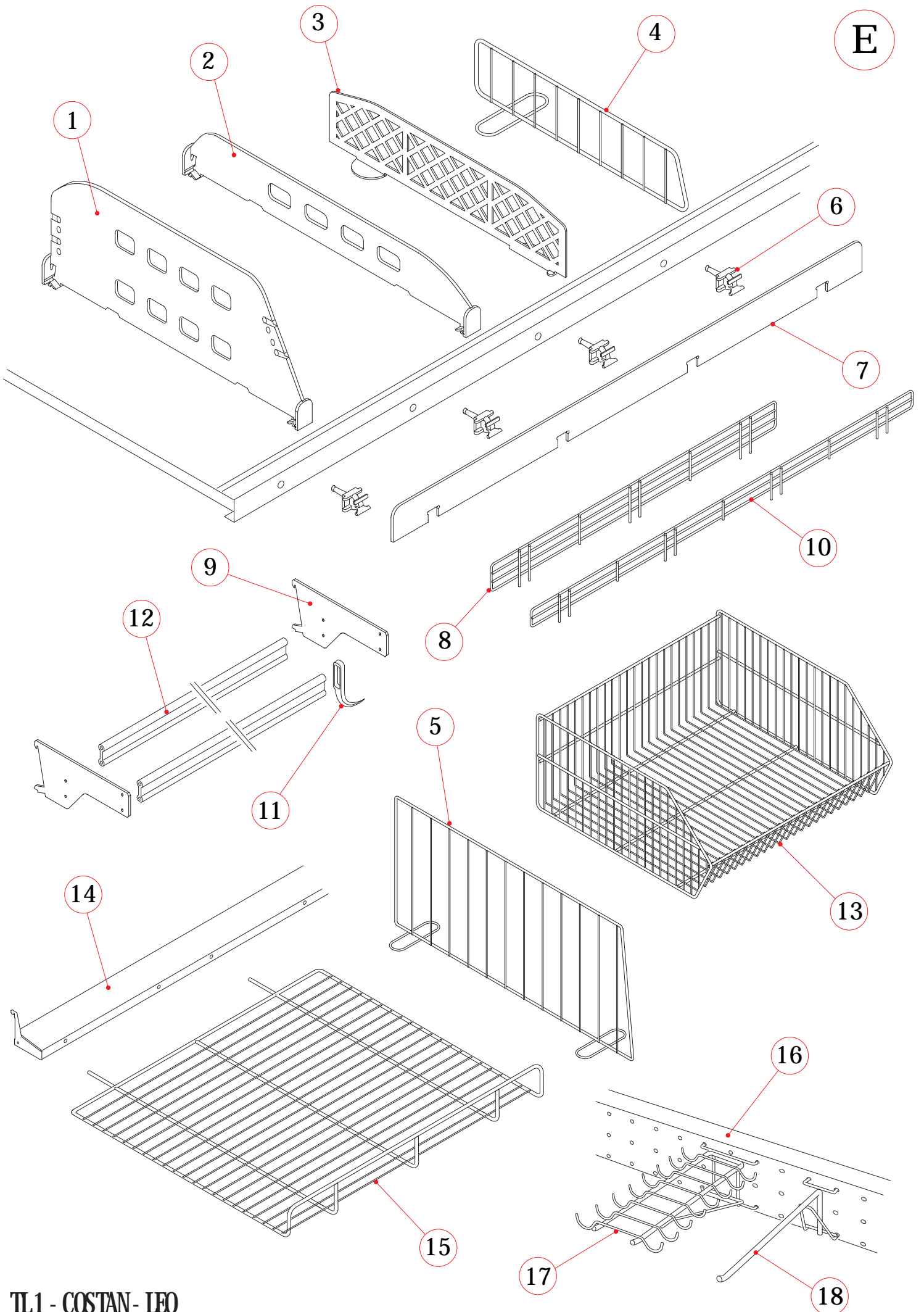
			125	187	250	375	MT 149	MT 179	MT 209
1	TERMINALE CORNICE	SX							
	TERMINAL END CAP ENDSTÜCK KOPFBLENDE TL1	DX							
2	SUPPORT.COMM.TERMINALE CORNICE	SX							
	CANOPY END PIECE COM.HOLDER ENDSTÜCK BLENDE KOMM. KOPFBLENDE TL1	DX							
3	CORNICE CS SPALLA 6 DC								
	ENDWALL CANOPY CS 6 PM ENDSTÜCK KOPFBLENDE TL1					10421M			
4	CORNICE CS SPALLA 8 DC								
	ENDWALL CANOPY CS 8 PM BLENDE KOPFSEITENWAND VOLUM					10421L			
5	ANGOLO DI CORNICE TL1 DC								
	CANOPY CORNER PIECE TL1 PM ECKSTÜCK KOPFBLENDE					10423L			
5	ANGOLO BATTICARRELLO								
	BUMPER RAIL CORNER CO ECKSTÜCK STOSSLEISTE					114642			
6	DOPPIOVETRO CURVO SPALLA P5								
	ENDWALL CURVED DOUBLE GLASS P5 205 SCHEIBE R SW EFFICIA	205				125359			
	DOPPIOVETRO CURVO SPALLA P6								
	ENDWALL CURVED DOUBLE GLASS P6 205 SCHEIBE R SW MODULAR	205				125357			
	DOPPIOVETRO CURVO SPALLA P6								
	ENDWALL CURVED DOUBLE GLASS P6 225 SCHEIBE R SW MODULAR	225				125358			
7	DOPPIOVETRO CURVO SPALLA P8								
	ENDWALL CURVED DOUBLE GLASS P8 205 SCHEIBE R SW VOLUM	205				125355			
7	DOPPIOVETRO CURVO SPALLA P8								
	ENDWALL CURVED DOUBLE GLASS P8 225 SCHEIBE R SW VOLUM	225				125356			
	BATTICARRELO ASSEMBLATO SPALLA	P5							
7	ASS.BUMPER-RAIL END	P6				256739			
	STOSSLEISTE BAUT ZUSAMMEN SEITENWAND	P6				25673F			
		P8					25673G		

7	BATTICARRELO ASSEMBLATO SPALLA ASS.BUMPER-RAIL END STOSSLEISTE BAUT ZUSAMMEN SEITENWAND	P8 SX / LH	BUMPER PVC L986 ENERGIA RAL7015 DARK GREY Cod.14586032						
		P8 DX / RH	BUMPER PVC L986 ENERGIA RAL7015 DARK GREY Cod.14586032						
		P6 SX / LH	BUMPER PVC L836 ENERGIA RAL7015 DARK GREY Cod.14586033						
		P6 DX / RH	BUMPER PVC L836 ENERGIA RAL7015 DARK GREY Cod.14586033						
		P5 SX / LH	BUMPER PVC L686 ENERGIA RAL7015 DARK GREY Cod.14586034						
		P5 DX / RH	BUMPER PVC L686 ENERGIA RAL7015 DARK GREY Cod.14586034						
7	BATTICARRELO ASSEMBLATO SPALLA ASS.BUMPER-RAIL END STOSSLEISTE BAUT ZUSAMMEN SEITENWAND	P8 SX / LH	BUMPER INOX L1065 Cod.10368233						
		P8 DX / RH	BUMPER INOX L1065 Cod.10368233						
		P6 SX / LH	BUMPER INOX L915 Cod.10368232						
		P6 DX / RH	BUMPER INOX L915 Cod.10368232						
		P5 SX / LH	BUMPER INOX L765 Cod.10368231						
		P5 DX / RH	BUMPER INOX L765 Cod.10368231						
7	BATTICARRELO ASSEMBLATO SPALLA ASS.BUMPER-RAIL END STOSSLEISTE BAUT ZUSAMMEN SEITENWAND	P8 SX / LH	BUMPER PVC RAL5010 BLUE L099 Cod.11459C						
		P8 DX / RH	BUMPER PVC RAL5010 BLUE L099 Cod.11459C						
		P6 SX / LH	BUMPER PVC RAL5010 BLUE L084 Cod.11459E						
		P6 DX / RH	BUMPER PVC RAL5010 BLUE L084 Cod.11459E						
		P5 SX / LH	BUMPER PVC RAL5010 BLUE L069 Cod.11459F						
		P5 DX / RH	BUMPER PVC RAL5010 BLUE L069 Cod.11459F						
			125	187	250	375	MT 149	MT 179	MT 209
8	ZOCCOLO FISSO SPALLA 5 VC ENDWALL FIXED KICKPLATE 5 VC BODENBLENDE SEITENWAND EFFICIA	SX DX	209420						
	ZOCCOLO FISSO SPALLA 6 VC ENDWALL FIXED KICKPLATE 6 VC BODENBLENDE SEITENWAND MODULAR	SX DX	209421						

			125	187	250	375	MT 149	MT 179	MT 209
8	ZOCCOLO FISSO SPALLA 8 VC ENDWALL FIXED KICKPLATE 8 VC BODENBLENDE SEITENWAND VOLUM	SX DX			209422				
	ZOCCOLO MOBILE SPALLA 5 VC ENDWALL MOVABLE KICKPLATE 5 BODENBLENDE SEITENWAND VERSTELLBAR	SX DX			209424				
9	ZOCCOLO MOBILE SPALLA 6 VC ENDWALL MOVABLE KICKPLATE 6 BODENBLENDE SEITENWAND VERSTELLBAR MODULAR	SX DX			209425				
	ZOCCOLO MOBILE SPALLA 8 VC ENDWALL MOVABLE KICKPLATE 8 BODENBLENDE SEITENWAND VERSTELLBAR VOLUM	SX DX			209426				
10	TERMINALE BATTICARELLO CO SX BUMPER CORNER PIECE CO L ENDE STOSSLEISTE CO L.	SX			114644				
	TERMINALE BATTICARELLO CO DX BUMPER CORNER PIECE CO R ENDE STOSSLEISTE CO R.	DX			114645				
11	PANNEL.INF.SPALLA 6 DC ENDWALL LOWER PANEL 6 PM BLENDE FRONT SEITENWAND MODULAR	SX DX			20838N 20838P				
	PANNEL.INF.SPALLA 8 DC ENDWALL LOWER PANEL 8 PM BLENDE FRONT SEITENWAND VOLUM	SX DX			20838L 20838M				
	SPALLA SPECCHIO INIETTATA 20 6 FOAM ENDWALL GLASS 20 6 SEITENWAND SPIEGEL GESCHLOSSEN MODULAR	SX DX			257661				
	SPALLA SPECCHIO INIETTATA 20 8 FOAM ENDWALL GLASS 20 8 SEITENWAND SPIEGEL GESCHLOSSEN VOLUM	SX DX			257662				
12	SPALLA SPECCHIO INIETTATA 22 6 FOAM ENDWALL GLASS 22 6 SEITENWAND SPIEGEL GESCHLOSSEN MODULAR	SX DX			257664				
	SPALLA SPECCHIO INIETTATA 22 8 FOAM ENDWALL GLASS 22 8 SEITENWAND SPIEGEL GESCHLOSSEN VOLUM	SX DX			257665				

			125	187	250	375	MT 149	MT 179	MT 209
13	ZOCCOLO PVC SPALLA 6 ENDWALL PVC KICKPLATE 6	SX							
	BODENDICHTLEISTE SEITENWAND MODULAR	DX			112281				
13	ZOCCOLO PVC SPALLA 8 ENDWALL PVC KICKPLATE 8	SX							
	BODENDICHTLEISTE SEITENWAND MODULAR	DX			112282				
14	DOPPIOVETRO SPALLA P5 ENDWALL DOUBLE GLASS P5 205	205							
	SCHEIBE SW EFFICIA				125354				
	DOPPIOVETRO SPALLA P6 ENDWALL DOUBLE GLASS P6 205	205							
	SCHEIBE SW MODULAR				125352				
	DOPPIOVETRO SPALLA P6 ENDWALL DOUBLE GLASS P6 225	225							
SCHEIBE SW MODULAR					125353				
14	DOPPIOVETRO SPALLA P8 ENDWALL DOUBLE GLASS P8 205	205							
	SCHEIBE SW VOLUM				125350				
	DOPPIOVETRO SPALLA P8 ENDWALL DOUBLE GLASS P8 225	225							
SCHEIBE SW VOLUM				125351					
15	PORTA SUP.SPALLA TOP ENDWALL HOLDER								
	HALTER SEITENWAND				208813				
16	SUPPORTO PANNELLO INFER.SPALLA ENDWALL LOWER PANEL HOLDER								
	HALTER FRONTBLENDE SW				114638				
17	FINE CORNICE SPALLA CS DU ENDWALL CANOPY END PIECE CS PU								
	ENDE KOPFBLENDE SEITENWAND CS DU				20874H				
18	TERMINALE COMM. FASCIA RAY. ENDWALL CANOPY RAD. COMM. BAND	SX							
	ENDE COMM. LEISTE RAY.	DX							
					114734				
					114735				

E

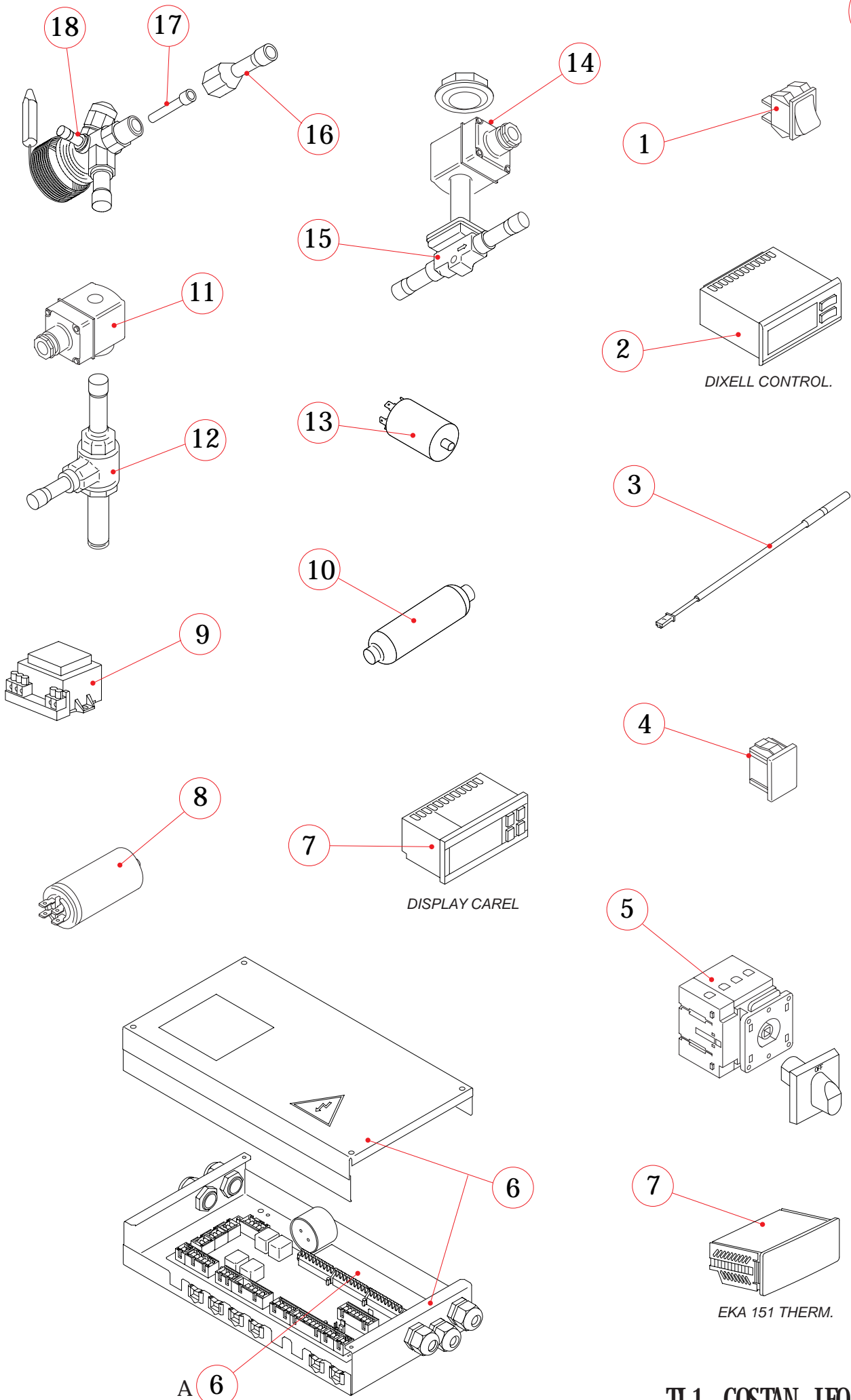


TI 1 COSTAN - LEO

		125	187	250	375	MT 149	MT 179	MT 209
1	DIVISOR.MAGN.RIPIANO TRAIN H120 400 SHELF TRAIN MAGN.DIVIDERS H120 400 TRENNER ETAGERE F. MAGNETSCHIENE H=120, L=400				112210			
	DIVISOR.MAGN.RIPIANO TRAIN H120 500 SHELF TRAIN MAGN.DIVIDER H120 500 TRENNER ETAGERE F. MAGNETSCHIENE H=120, L=400				112211			
	DIVISOR.MAGN.RIPIANO TRAIN H120 600 SHELF TRAIN MAGN. DIVIDER H120 600 TRENNER ETAGERE F. MAGNETSCHIENE H=120, L=600				112212			
2	DIVISOR.MAGN.RIPIANO TRAIN H60 400 SHELF TRAIN MAGN.DIVIDER H60 400 TRENNER ETAGERE F. MAGNETSCHIENE H=60, L=400				112214			
	DIVISOR.MAGN.RIPIANO TRAIN H60 500 SHELF TRAIN MAGN. DIVIDER H60 500 TRENNER ETAGERE F. MAGNETSCHIENE H=60, L=500				112215			
	DIVISOR.MAGN.RIPIANO TRAIN H60 600 SHELF TRAIN MAGN. DIVIDER H60 600 TRENNER ETAGERE F. MAGNETSCHIENE H=60, L=500				112216			
3	DIVISOR.RIPIANO NEXT H120 400 NEXT SHELF DIVIDER H120 400 TRENNER ETAGERE MIT FUSS H=120, L=400				112218			
	DIVISOR.RIPIANO NEXT H120 500 NEXT SHELF DIVIDER H120 500 TRENNER ETAGERE MIT FUSS H=120, L=500				112219			
4	DIVISORIO IN FILO RIPIANI H90 SHELF WIRE PARTITION 90 WHITE ICE TRENNGITTER ETAGERE H=150	310	W		10445A			
			C		10445L			
		410	W		10445B			
			C		10445M			
		510	W		10445C			
			C		10445N			
610	W		10445D					
	C		10445P					

			125	187	250	375	MT 149	MT 179	MT 209
4	DIVISORIO IN FILO RIPIANI H150 SHELF WIRE PARTITION 150 WHITE ICE TRENNGITTER BODENAUSLAGE H=150	310	W	10445E					
			C	10445Q					
		410	W	10445F					
			C	10445R					
		510	W	10445G					
			C	10445S					
610	W	10445H							
	C	10445T							
5	GRIGLIA SEPARAZIONE VASCA 150 BASE DECK WIRE PARTITION 150 PM TRENNGITTER BODENAUSLAGE H=150	P5							
			C	10446L					
		P6	C	10446M					
	P8		C	10446N					
	GRIGLIA SEPARAZIONE VASCA 300 BASE DECK WIRE PARTITION 300 PM TRENNGITTER BODENAUSLAGE H=300	P5	C	10446P					
			P6	C	10446Q				
P8		C	10446R						
6	GANCIO PORTA ETICHET.BIANCO TICKET HOLDER HOOK WHITE HALTER PREISLEISTE								114688
7	ARRESTO PROD.TRASPARENTE H50 PLEXI PRODUCT STOPPER 50 WARENSTOPPER-PLEXI H=50		112182	112181	112182	112182	112187	112183	112181 112185
	ARRESTO PROD.TRASPARENTE H80 PLEXI PRODUCT STOPPER 80 WARENSTOPPER-PLEXI H=80		112442	112441	112442	112442			
8	ARRESTO PRODOTTO IN FILO 80 WIRE PRODUCT STOPPER 80	W	10452C	10452B	10452C	10452C			
	WARENSTOPPER-DRAHT H=80	C	10452N	10452M	10452N	10452N			
9	PORTA ROTAIA UNIVERSALE UNIVERSAL RAIL HOLDER	W	20075K						
	KONSOLE HAKENGHÄNGE	C	20075V						
10	ARRESTO PRODOTTO IN FILO 50 WIRE PRODUCT STOPPER 50	W	10440C	10440B	10440C	10440C	10440H	10440D	10440B 10440F
	WARENSTOPPER-DRAHT H=50	C	10440N	10440M	10440N	10440N	10440T	10440P	10440M 10440R

				125	187	250	375	MT 149	MT 179	MT 209
11	GANCIO SCORREVOLE RIF.03.0665 SLIDING HOOK REF.03.0665 SCHIEBEHAKEN			2002359						
12	ROTAIA UNIVERSALE UNIVERSAL RAIL GEHÄNGESCHIENE			105152	105151	105152	105152	105152	105153	105151
13	CESTONE DI VASCA WIRE BASKET WELL BASE DECK BASKET WARENKORB H=270	P5	W	10523J						
			C	10523U						
		P6	W	10523C						
			C	10523N						
		P8	W	10524C						
			C	10524N						
14	SUPPORTO POSTERIORE CESTO VE.COL. WIRE TRAY REAR HOLDER PP HALTER BODENROST	P5	W	30757C	20336B	30757C	30757C			
			C	30757N	20336M	30757N	30757N			
		P6	W	20934C	20934B	20934C	20934C			
			C	20934N	20934M	20934N	20934N			
		P8	W	30757C	20336B	30757C	30757C			
			C	30757N	20336M	30757N	30757N			
15	GRIGLIE DI FONDO VASCA BASE DECK WIRE TRAYS BODENROST	P5	W	10520G	10520F	10520G	10520G			
			C	10520S	10520R	10520S	10520S			
		P6	W	10518C	10518B	10518C	10518C			
			C	10518N	10518M	10518N	10518N			
		P8	C	10518T	10518S	10518T	10518T			
		P6	W	10516C	10516B	10516C	10516C			
		HF 445	C	10516N	10516M	10516N	10516N			
		P8	W	10516H	10516G	10516H	10516H			
HF 445	C	10516T	10516S	10516T	10516T					
16	SCHIENALE FORATO PER ACCESSORI PAINTED BACK PANEL FOR ACCESS. GELOCHTE RÜCKWAND FÜR ZUBEHÖR			290D36600		290D36600	290D36600			
17	MENSOLA APPENDISALUMI DELI SPEAR BRACKET AUFHÄNGER FÜR WURSTWAREN			220066204		220066204	220066204			
18	MENSOLA APPENDIBUSTE DELI PACKS SPEAR BRACKET DELI AUFHÄNGER FÜR BEUTEL			220066203		220066203	220066203			



TI 1 COSTAN - LEO

				125	187	250	375	MT 149	MT 179	MT 209
1	INTER.BIPOLARE 60.2 (C2-T2) (A641) BIPOLAR SWITCH 60.2 (C2-T2) (A641) SCHALTER BELEUCHTUNG ZWEIPOLIG 10A						140690			
	INTER. MINI 60.IST ON /OFF (mom) FAST.4,8 SWITCH 60.IST ON/OFF FAST.4,8					142050				
	MINI SCHALTER 60.IST EIN /AUS (mom) FAST.4,8									
2	CONTROLLORE DIXELL XR570C RBNEBCC1AB DIXELL CONTROLLER XR570C RBNEBCC1AB REGLER DIXELL XR570C RBNEBCC1AB					140676				
	CONTROLLORE EKC 202D1 084B8654 CONTROLLER EKC 202D1 084B8654 REGLER EKC 202D1 084B8654					142007				
	CONTROLLORE EKC 102A 084B8500 CONTROLLER EKC 102A 084B8500 REGLER EKC 102A 084B8500					142023				
	CONTROLLORE CAREL IR33C0HB00 CONTROLLER CAREL IR33C0H300 REGLER CAREL IR33C0HB00					142029				
	CONTROLLORE LAE AD3 CONTROLLER-LAE- AD3 REGLER LAE AD3					142030				
	CONTROLLORE CAREL MPXPRO (MASTER) CONTROLLER CAREL MPXPRO (MASTER) REGLER CAREL MPXPRO (MASTER)					142031				
	CONTROLLORE CAREL MPXPRO (SLAVE) CONTROLLER CAREL MPXPRO (SLAVE) REGLER CAREL MPXPRO (SLAVE)					142032				
	CONTROLLORE DANFOSS AK-CC 550 CONTROLLER DANFOSS AK-CC 550 REGLER DANFOSS AK-CC 550					142033				
3	SONDA NTC 6x5 CAREL L.3000 PROBE NTC 6x5 CAREL L.3000 FÜHLER NTC 6x5 CAREL L.3000					140692				

				125	187	250	375	MT 149	MT 179	MT 209
3	SONDA NTC 6x5 CAREL L.6000 PROBE NTC 6x5 CAREL L.6000 FÜHLER NTC 6x5 CAREL L.6000						140852			
	SONDA TECNOLOGIC PT1000 3,5m +CONNETTORE PROBE PT1000 TECNOLOGIC 3,5m W/CONNECT. FÜHLER TECNOLOGIC PT1000 3,5m +VERBINDER						140873			
	SONDA TECNOLOGIC PT1000 5,5m +CONNETTORE PROBE PT1000 TECNOLOGIC 5,5m W/CONNECT. FÜHLER TECNOLOGIC PT1000 5,5m +VERBINDER						140874			
	SONDA DANFOSS NTC EKS211/5000 ohm L.1500 DANFOSS PROBE NTC EKS211/5000 ohm L.1500 FÜHLER DANFOSS NTC EKS211/5000 ohm L.1500						142034			
	SONDA PT1000 L3,5M SENZA CONN PT1000 L3,5M WITHOUT CONNECTOR FÜHLER PT1000 L3,5M						144336			
	SONDA PT1000 L5,5M SENZA CONN PT1000 L5,5M WITHOUT CONNECTOR FÜHLER PT1000 L5,5M						144337			
	4	TAPPO INTERRUTTORE NERO 60TB 60TB BLACK SWITCH COVER LOCHABDECKUNG 13X19 SCHWARZ						119284		
5	SEZIONATORE 4P 25A OT 25 ET4 SWITCH 4P 25A OT 25 ET4 LASTTRENNSCHALTER 4POLIG 25A OT 25 ET4	MORS. SLAVE					142095			
6	CTS FS PREPARATO ASS. OC-D CTS BOARD ANSCHLUSSKASTEN CTS	SLAVE					142631			
	CTS SE PREPARATO + LUCE ASS.CTS ED BOARD + LIGHTING ANSCHLUSSKASTEN CTS/ABTAU	SLAVE					142638			
	CTS SE PREPARATO ASS.CTS ED BOARD ANSCHLUSSKASTEN CTS/NACHTROLLO/ABTAU	SLAVE					142635			
6A	CIRCUITO STAMPATO FRTS SE TL1/TL2 TL1/TL2 ED FRTS PRINT BOARD LEITERPLATTE FRTS	MASTER					149764			
6	Q.E. FRTS+CDERDN TL1 EL. BOARD FRTS+CDERDN TL1 ANSCHLUSSKASTEN FRTS/NACHTROLLO	MASTER					142930			

				125	187	250	375	MT 149	MT 179	MT 209
6	Q.E.WRTS+CDE RDN TL1 EL. BOARD WRTS+CDE RDN TL1 ANSCHLUSSKASTEN WRTS/NACHTROLLO	MASTER					142931			
	Q.E.FRTS LINEARE EL. BOARD FRTS / LINEAR ANSCHLUSSKASTEN FRTS	MASTER				142931				
	Q.E.WRTS1- Q.E. DISTR. EL. BOARD WRTS1 -DISTR. BOX ANSCHLUSSKASTEN WRTS1	MASTER				142942				
7	TERMOMETRO LCD A PILA LCD THERMOMETER WITH BATTERY THERMOMETER LCD MIT BATTERIE					142036				
	DISPLAY CAREL IR00UGC300 PER MXPRO CAREL IR00UGC300 DISPLAY FOR MXPRO ANZEIGE CAREL IR00UGC300 FÜR MXPRO					142065				
	TELETERMOMETRO EKA151 084B7023 EKA151 THERMOMETER 084B7023 THERMOMETER EKA151 084B7023					140082				
8	CONDENSATORE 1.27.6CC3 16MFD CAPACITOR 1.27.6CC3 16MFD KONDENSATOR 1.27.6CC3 16µF					140152				
	CONDENSATORE 1.27.6CC3 20MFD CAPACITOR 1.27.6CC3 20MFD KONDENSATOR 1.27.6CC3 20µF					140153				
	CONDENSATORE 1.27.6CC3 25MFD CAPACITOR 1.27.6CC3 25MFD KONDENSATOR 1.27.6CC3 25µF					140155				
	CONDENSATORE 1.27.6CC3 30MFD CAPACITOR 1.27.6CC3 30MFD KONDENSATOR 1.27.6CC3 30µF					140156				
9	TRASFORMATORE 230V/12V 3VA TRANSFORMER 230V/12V 3VA TRAFO 230V/12V 3VA					140086				
10	FILTRO 1 L100-Ø10 FILTER 1 L100-Ø10 FILTER-LÖT 1" L100-Ø10					155882				
11	BOBINA 18W C.C 230V 018F6781 COIL 18W C.C 230V 018F6781 SPULE F. AKV 220V,DC,18W 018F6781					155290				

				125	187	250	375	MT 149	MT 179	MT 209	
12	VALV.AKV 10X12 10-2 068F1165 EXP. VALV.AKV 10X12 10-2 068F1165 VENTIL EXP. AKV 10-2 68F1165			155212							
	VALV.AKV 10X12 10-3 068F1168 EXP. VALV.AKV 10X12 10-3 068F1168 VENTIL EXP. AKV 10-3 68F1168				155213			155213			
	VALV.AKV 10X12 10-4 068F1171 EXP. VALV.AKV 10X12 10-4 068F1171 VENTIL EXP. AKV 10-4 68F1171					155214					
	VALV.AKV 10X12 10-5 068F1174 EXP. VALV.AKV 10X12 10-5 068F1174 VENTIL EXP. AKV 10-5 68F1174						155215				
13	FILTRO 0,47µF(X2)+2x27nF(Y2)+2x1mH+0,68M FILTER 0,47µF(X2)+2x27nF(Y2)+2x1mH+0,68M FILTER 0,47µF(X2)+2x27nF(Y2)+2x1mH+0,68M			142010							
14	BOBINA 10W 50/60HZ 18Z6732 COIL 10W 50/60HZ 18Z6732 SPULE 10W 50/60HZ 18Z6732			155292							
15	CORPO VALV.NF EVR3 D10 32F1208 ODF VALVE BODY.NF EVR3 D10 32F1208 ODF VENTILKÖRPE-MAGNET EVR3 D10 32F1208 ODF			155242							
16	ADATTAT.T2/TE2 10 068-2061 ADAPTER.T2/TE2 10 068-2061 ADAPTER-LÖT T2/TE2 10 068-2061			155141							
17	UGELLO + FILTRO R22 NOZZLE + FILTER R22 DÜSENEINSATZ LÖTADAPTER R22	H2000 1V	HF450	155131	155131	155132	155133	155131	155131	155132	
			HF300	155131	155132	155133	155133	155131	155131	155132	
		H2000 2V	HF450	155131	155131	155132	155133	155133	155131	155131	155132
			HF300	155131	155132	155133	155133	155133	155131	155131	155132
		H2000 HP	HF450	155131	155132	155133	155133	155134	155131	155132	155133
			HF300	155131	155132	155133	155133	155134	155131	155132	155133

				125	187	250	375	MT 149	MT 179	MT 209	
17	UGELLO + FILTRO R22 NOZZLE + FILTER R22 DÜSENEINSATZ LÖTADAPTER R22	H2200 1V	HF450	155131	155132	155132	155133	155131	155131	155132	
			HF300	155131	155132	155133	155133	155131	155132	155132	
		H2200 2V	HF450	155131	155132	155133	155133	155131	155131	155132	155132
			HF300	155131	155132	155133	155133	155131	155132	155132	
		H2200 HP	HF450	155131	155132	155133	155134	155131	155132	155133	
			HF300	155132	155133	155133	155134	155132	155132	155133	
17	UGELLO + FILTRO R404 NOZZLE + FILTER R404 DÜSENEINSATZ LÖTADAPTER R404	H2000 1V	HF450	155131	155132	155133	155133	155131	155132	155132	
			HF300	155131	155132	155133	155134	155131	155132	155133	
		H2000 2V	HF450	155131	155132	155133	155134	155131	155132	155132	
			HF300	155131	155132	155133	155134	155131	155132	155133	
		H2000 HP	HF450	155132	155133	155133	155135	155132	155133	155133	
			HF300	155132	155133	155133	155135	155132	155133	155133	
17	UGELLO + FILTRO R404 NOZZLE + FILTER R404 DÜSENEINSATZ LÖTADAPTER R404	H2200 1V	HF450	155131	155133	155133	155134	155131	155132	155133	
			HF300	155132	155133	155133	155134	155132	155132	155133	
		H2200 2V	HF450	155131	155132	155133	155134	155131	155132	155133	
			HF300	155132	155132	155133	155134	155132	155132	155133	
		H2200 HP	HF450	155132	155133	155134	155135	155132	155133	155133	
			HF300	155132	155133	155134	155135	155132	155133	155133	

				125	187	250	375	MT 149	MT 179	MT 209
18	VALV.ESPA.T2 R404A N 068Z3435 THERM. EXP. VALVE T2 R404A N 068Z34 VENTIL EX. TS2B L-5/8 R404A O.D. 68Z3644			155112						
	VALV.ESPA.T2 R22 N 068Z3302 THERM. EXP. VALVE T2 R22 N 068Z33 VENTIL EX. TS2B L-5/8 R404A O.D. 68Z3644			155114						
	VALV.ESPA.TE2 R404A N 068Z3422 THERM. EXP. VALVE TE2 R404A N 068Z3 VENTIL EX. TES2N L-5/8 R404A O.D 68Z3422			155114						
	VALV.ESPA.TE2 R22 N 068Z33305 THERM.EXP. VALVE TE2 R22 N 068Z3 VENT. EXP. TEX2N L-5/8 R22 O.D. 68Z3305			155124						