

SKYVIEW PLUS

MULTI-DECK GLASS DOOR CHILLER



FEATURES INCLUDE:

Temperature Class 3M0, 3M1 and 3M2
 Three depths: Efficia (E), Modular (M)
 and Volum (V)
 Full height glass doors with no canopy
 High output LED lighting
 Stainless Steel Bumper

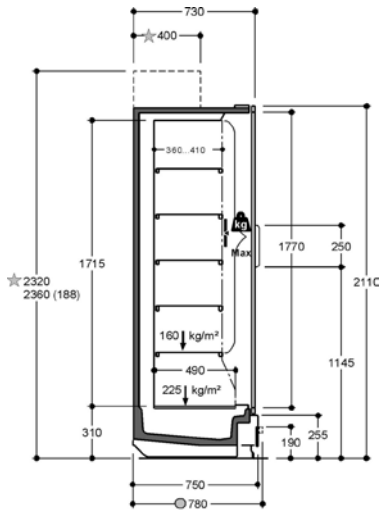
Painted or stainless steel shelves/base
 CO₂ and HFC options
 Eurovent® Certified A+ rating
 Epta Dual Air Flow technology
 Front floor mounted electrical box
 One piece composite plastic base



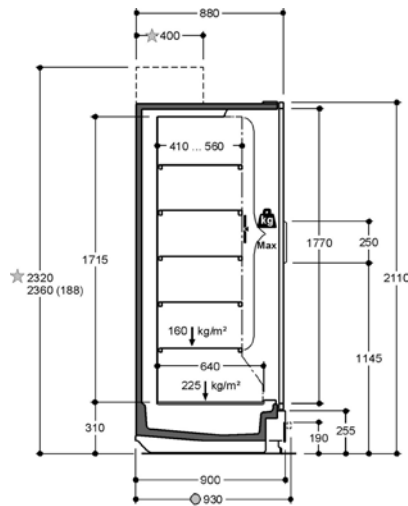
Image is being used for illustrative purposes only.

SKYVIEW PLUS

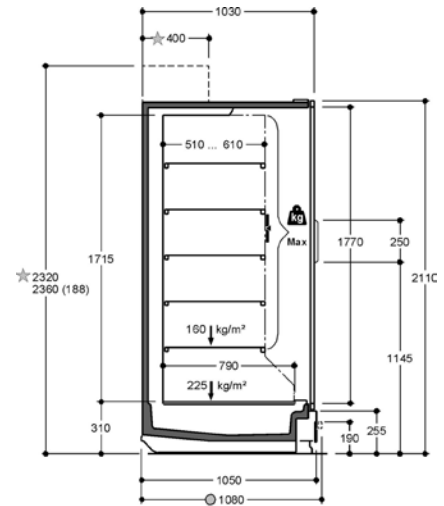
MULTI-DECK GLASS DOOR CHILLER



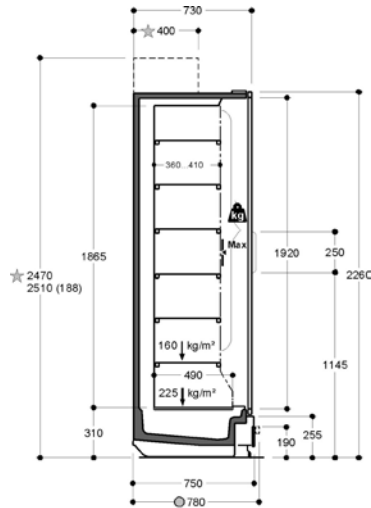
Skyview ECO 20 C Efficia



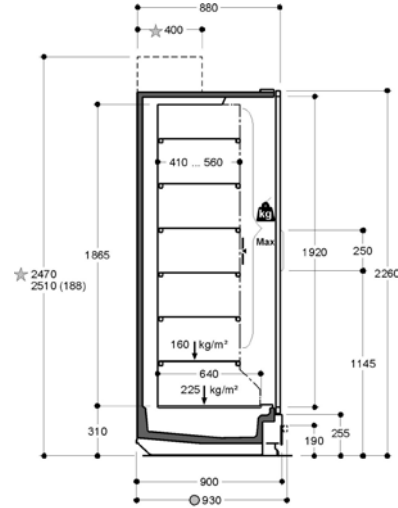
SkyviewECO 20 N Modular



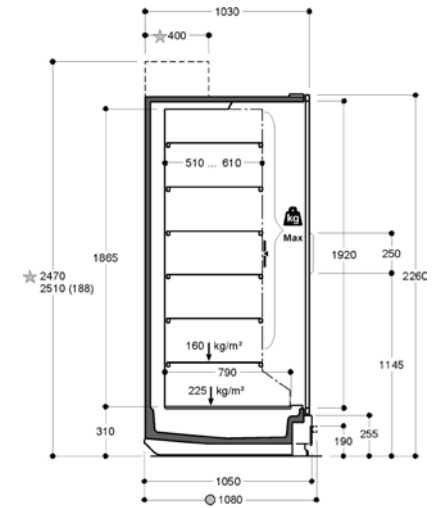
Skyview ECO 20 L Volume



Skyview ECO 22 C Efficia



Skyview ECO 22 N Modular



SkyviewECO 22 L Volume

SKYVIEW PLUS Chiller model – Options:

- Heights: 2110 mm and 2260 mm height.
- Depths with bumper: 780 mm (E) 930 mm (M) 1060 mm (V)
- Lengths: 1250 mm, 1880 mm, 2500 mm, 3750 mm linear Crown end cases available
- Solid or glass end walls, common end and acrylic dividers.
- Case colour – internal and external options.
- LED lighting, pink or white colour options.
- Framed or frameless display doors
- Up to 8 levels of shelves + base, 360/410/460/510/560/610mm shelf depth (depending on cabinet width).
- Ticket strips 25/30/40mm high.
- Well ticket holder 40/60 high.
- Accessories: angled display mirror, night blind, adjustable wire grids, shelf product stopper (wire or plexi).
- Case can be multiplexed with freezer (Skylight) case
- Manual, pulse and stepper Tx valve options