

# SKYVIEW URBAN

SkyEffect



## Product categories



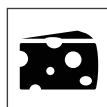
Meat



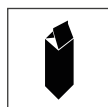
Chicken



Delicatessen



Cheese



Dairy products



Pre-packed  
fruit&veg



Fruit and  
Vegetables



Sandwiches

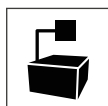


Drinks

## Technical features



Ventilated



Remote  
condensing unit



LED lighting



High efficiency  
fans



Electric defrost



Off-cycle  
defrost

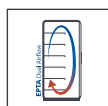


EPTABLUE

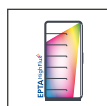
## Certification and patents



Eurovent\*



Epta  
DualAirflow



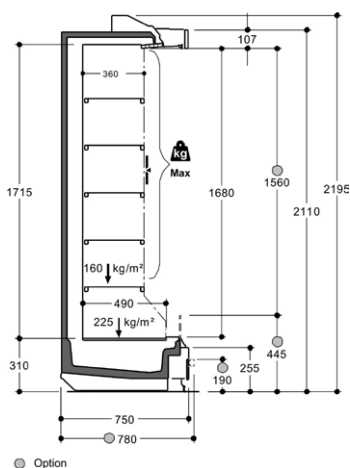
HighFlux

\* Epta S.p.A. participates in the ECC programme for: Refrigerated display cabinets (RDC); Check ongoing validity of certificate online: [www.eurovent-certification.com](http://www.eurovent-certification.com) or using: [www.certiflash.com](http://www.certiflash.com)

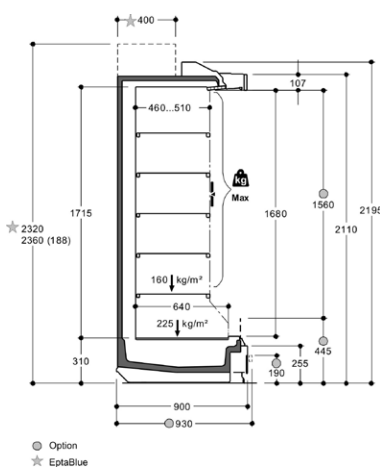
## Product range

SKYVIEW URBAN			
Length-Lunghezza Longueur-Länge-Longitud mm		EFFICIA	MODULAR
SKYVIEW URBAN	Closed	•	•
	Open	•	•
Display area Superficie di esposizione Warenpräsentationsfläche Surface d'exposition Superficie expositiva m2	Closed	2.11	2.22
	Open	2.26	2.26
Loading area Superficie di appoggio Nutzfläche Surface de chargement Superficie de apoyo m2	Closed	0.90	1.10
	Open	0.90	1.10
End thickness Spessore spalla Stärke der Seitenwand Épaisseur de cheue joue Espesor lateral mm		30.00 (+ 35 Bumper Rail)	

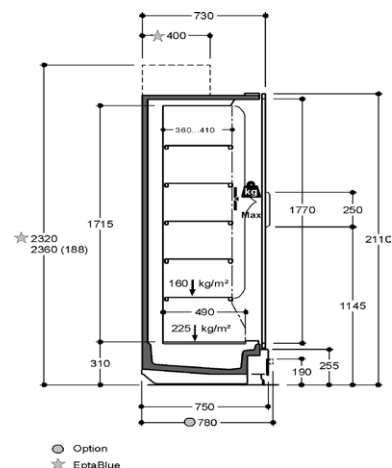
## Cross sections



EFFICIA - H2O OPEN



MODULAR - H2O OPEN

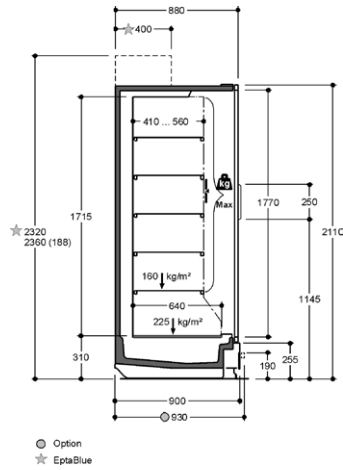


EFFICIA - H2O CLOSED

# SKYVIEW URBAN

SkyEffect

## Cross Sections



MODULAR - H2O CLOSED