

ERGO 400

SERVE-OVER BAIN-MARIE COUNTER



FEATURES INCLUDE:

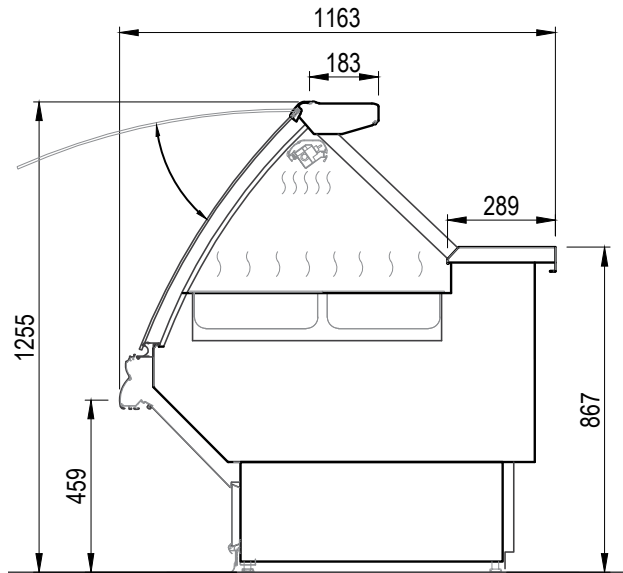
Curved lift up glass
Stainless steel internal bain-marie
Overhead heat lamps

Rear perspex slides
Castor wheels (optional)
Self-service (optional)

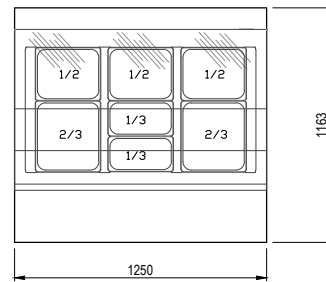
ERGO 400

SERVE-OVER BAIN-MARIE COUNTER

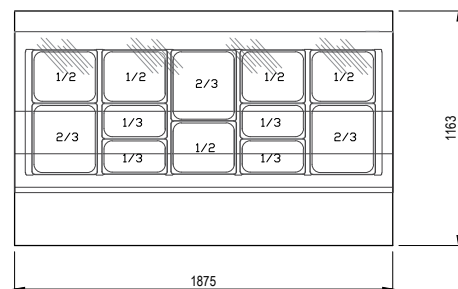
CRIOCABIN
TASTE PRESENTATION



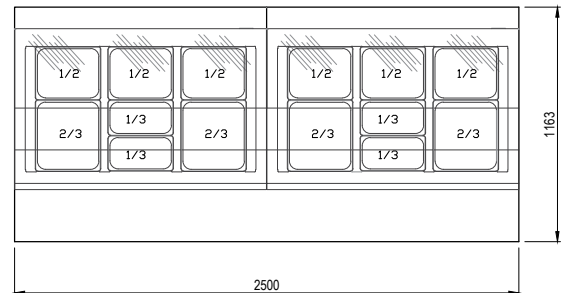
1250



1875



2500



ERGO 400	1250	1875	** 2500
Operating Temp (°C)	+65	+65	+65
Power Supply	400V/3Ph/15 Amp hard wired		400V/3Ph/20 Amp hard wired
Operating Current (Amp)	15	15	25
Nominal Power (W)	6000	6000	10000
Energy Consumption (kWh/24h)	108	108	180
Length (mm) with endwall	1360	1985	2610
Endwall thickness (mm)	55	55	55
Height w/o castors (mm)	1260	1260	1260
Height incl. castors (mm)	1320	1320	1320
Depth incl. bumper (mm)	1160	1160	1160
Weight w/o packaging (kg)	150	225	300

** Ex factory item