

EXPLORER

SERVE OVER COUNTER



CO₂

FEATURES INCLUDE:

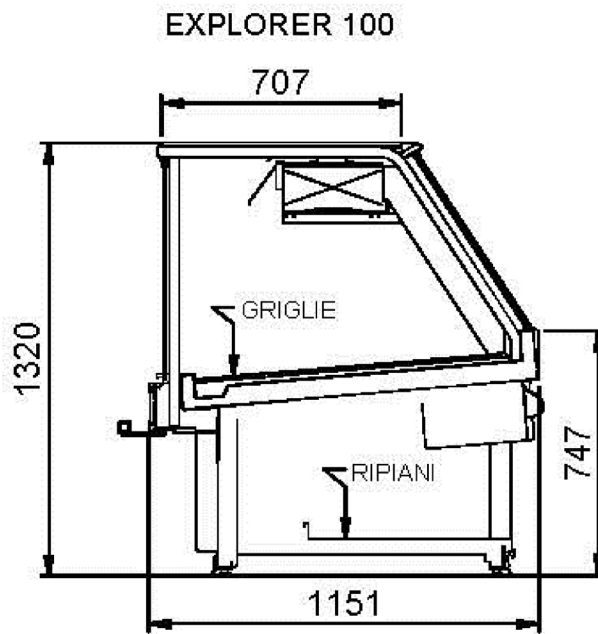
Vertical lift up front glass
Front glass demister
Rear perspex slides
Evaporator with anti corrosion treatment
Internal & external in stainless steel AISI 304

Dual PINK LED lighting CO₂ and HFC options
Static Refrigeration System
Overhead coil with refrigerated cold plate base
Stainless Steel Bumper
Remote style installation

EXPLORER

SERVE OVER COUNTER

CRIO CABIN
TASTE PRESENTATION



Explorer	
* Operating temp. (°C)	0/+4
SST	-10
W/m	630
EXP 1250 (length 1330 mm)	787
EXP 1875 (length 1955 mm)	1178
EXP 2500 (length 2580 mm)	1575
EXP 3750 (length 3830 mm)	2362

** Climate Class 3 (25°C, 60% hr)