



REFRIGERATION

# STELLA

CHEST FREEZER



FREEZER



R290



PLUG-IN

## FEATURES INCLUDE

- Low E sliding glass lids
- Large storage capacity
- Castor wheels
- Internal baskets



Scan here to check for Energy Efficiency Rebates in your state.



PLUG-IN POWER

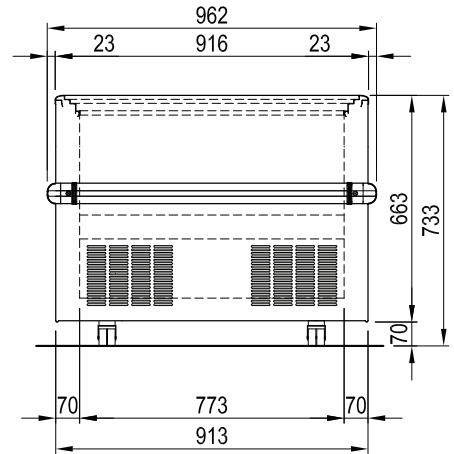
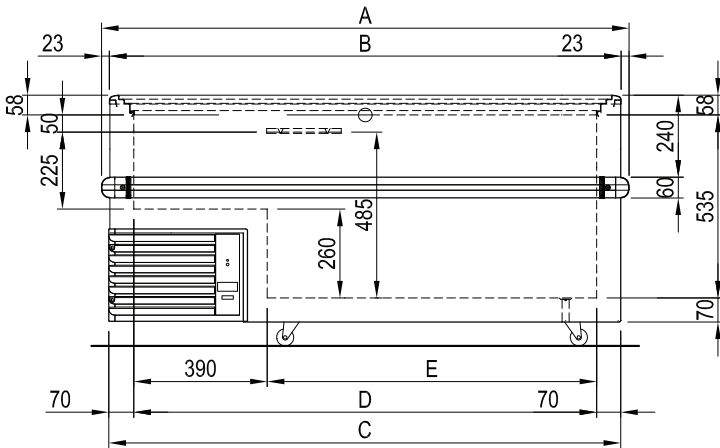


Product image not to scale



REFRIGERATION

# STELLA CHEST FREEZER



MODEL:	A	B	C	D	E
STELLA 150	1542	1496	1493	1353	963
STELLA 200	2042	1996	1993	1853	1463
STELLA 250	2542	2496	2493	2353	1963

STELLA	150	200	250
OPERATING TEMP (°C)	-18 / -25		
REFRIGERATION	Static / R290		
DEFROST	Manual		
POWER SUPPLY	230V / 1Ph / 10 Amp plug		
OPERATING CURRENT (Amp)	1.3	1.6	2.0
NOMINAL POWER (W)	280	340	450
ENERGY CONSUMPTION (kWh/24h)	5	6	8
TOTAL CAPACITY (ltr)	435	625	814
LENGTH (mm)	1542	2042	2542
HEIGHT INCLUDING CASTORS (mm)	733		
DEPTH INCLUDING BUMPERS (mm)	913		
WEIGHT WITHOUT PACKAGING (kg)	84	121	145
CONDENSING UNIT	Ventilated		
BASKETS	5	6	8

\* Climate class 4 (30 °C, 55% R/H)

PERTH | BRISBANE | SYDNEY | MELBOURNE | ADELAIDE | BUNBURY

RTA: AU10320

