



COLD
ENGINEERING
TECFRIGO

ISOLA VT

MOBILE SALAD BAR



FEATURES INCLUDE:

Dark walnut trim
Stainless steel well
Motorised overhead perspex canopy
Canopy lighting incl. switch

Electronic temperature control
Castor wheels
Timber tray race (optional)
Suitable for a variety of gastronomy pans

BAKER

REFRIGERATION

Visit our website www.ajbaker.com.au or email us at email@ajbaker.com.au

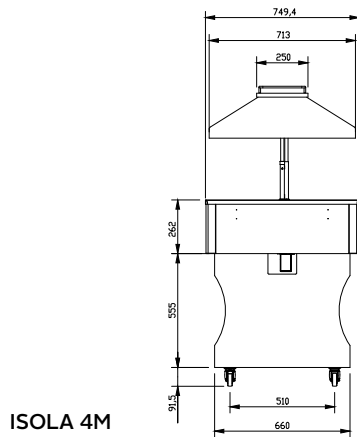
Image used for illustration only.

ISOLA VT

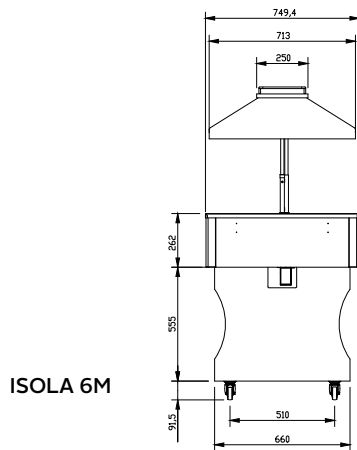
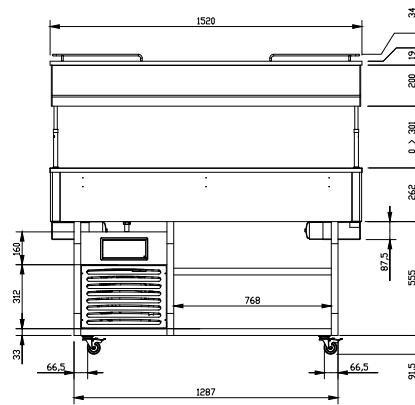
MOBILE SALAD BAR



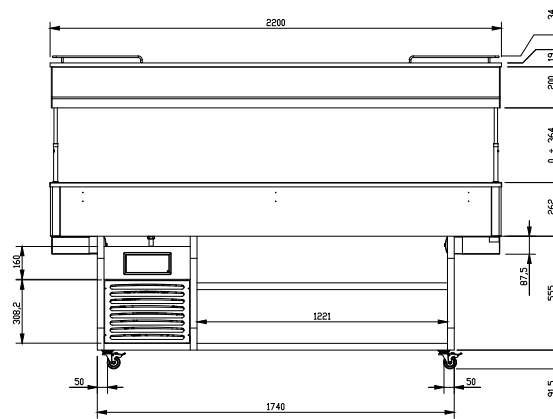
COLD
ENGINEERING
TECFRIGO



ISOLA 4M



ISOLA 6M



ISOLA	4M	6M	8M**
* Operating Temp (°C)	+4/+10	+4/+10	+4/+10
Refrigeration	Ventilated/R404a		
Defrost	Automatic		
Power Supply	230V/1Ph/10 Amp plug		
Operating Current (Amp)	3.3	3.8	3.8
Nominal Power (W)	740	850	850
Energy Consumption (kWh/24h)	13.3	15.3	15.3
Gastronorm pans (max height 150mm)	1/4-1/3-1/2 2/3-1/1-2/1	1/4-1/3-1/2 2/3-1/1-2/1	1/4-1/3-1/2 2/3-1/1-2/1
Length (mm)	1520	2200	2720
Height incl. castors (mm)	1528	1528	1528
Depth incl. bumper (mm)	750	750	750
Weight w/o packaging (kg)	155	173	240

* Climate class 4 (30°C, 55%R/H)

** Ex factory item

Gastronorm pans not included