



M Series 1400 Ice Cube Machine

Model: MD1400A-251B MY1400A-251B MD1400N-251B MY1400N-251B



M1400 Ice Machine on A970V Bin

- Up to 670 kgs(1477 lbs) daily ice production and Only 48.00" (122.00 cm) wide
- R-410A CFC-free refrigerant
- Easy access to food zone with removal of two screws and lift-off door
- White plastics in the food zone help identify areas needing cleaning
- Water shield, distribution tube, pump, floats, and trough removable by hand
- Available CleanAir™ pack controls the growth of bacteria and fungi that form slime and cause odors in the food zone

Specifications

BTU Per Hour:
2,8300 (average), 3,4300 (peak)

Compressor:
Nominal rating: 2.5 HP

Refrigerant:
R-410A

Operating Limits:

- Ambient Temperature Range: 1.7°C to 43.3°C

- Water Temperature Range: 1.7°C to 32.2°C

- Water Pressure Ice Maker Water In:
Min. 20 psi (137.9kPA)
Max. 80 psi (551.1kPA)



Ice Machine Electric

220-240/50/1 standard

Total Circuit Ampacity:

Air-cooled: 17.1A
Remote-cooled: 17.1A

Maximum fuse size:

30A

HACR-type circuit breakers can be used in place of fuses

Cube Size Available



Half-dice
3/8" X 1 1/8" X 7/8"
(0.95 x 2.86 x 2.22 cm)



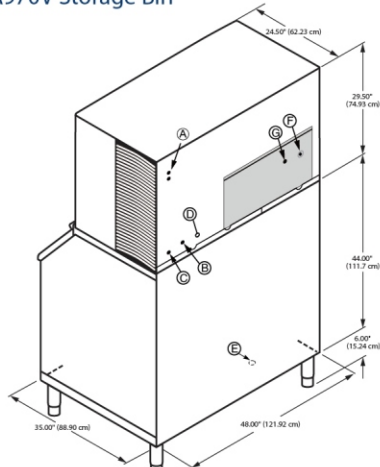
Dice
7/8" X 7/8" X 7/8"
2.22 X 2.22 X 2.22 (cm)





M Series 1400 Ice Cube Machine

M1400 on A970V Storage Bin



- A) Electrical Entrance (2) Options
- B) 3/8" (0.95 cm) F.P.T. Ice Making Water Inlet
- C) 1/2" (1.27 cm) F.P.T. Ice Making Water Drain
- D) 1/2" (1.27 cm) Auxiliary Base Drain Socket
- E) 3/4" (1.91 cm) Bin Drain
- F) 3/8" (0.95 cm) F.P.T. Water Condenser Inlet (water-cooled units)
- G) 1/2" (1.27 cm) F.P.T. Water Condenser Outlet (water-cooled units)

Installation Note - Minimum installation clearance:
 Top/sides: 8" (20.32 cm), back: 5" (12.70 cm).

Space-Saving Designs



M1400 A970V

| | |
|-------------|---------------------|
| Height | 79.50" 201.93cm |
| Width | 48.00" 121.92 cm |
| Depth | 35.00" 88.90 cm |
| Bin Storage | 710 lbs 323 kg |

Height includes adjustable bin legs 6.00" to 7.00"
 (15.24 cm to 17.78 cm) set at 6.00" (15.24 cm).

| Model | Ice Shape | Ice Production 24 Hours | | Power Usage kWh/100 lbs. @90°Air/70°F | Water Usage 100 lbs. 45.4 kgs. of Ice |
|--------------|-----------|-------------------------|--------------------|---|---|
| | | 70°Air/ 50°F Water | 90°Air/ 70°F Water | | |
| MD1400A-251B | dice | 649 kg | 479 kg | 5.3 | 75.7 |
| | | 1431 lbs | 1056 lbs | | |
| MY1400A-251B | half-dice | 670 kg | 498 kg | 5.3 | 75.7 |
| | | 1477 lbs | 1099 lbs | | |
| MD1400N-251B | dice | 618 kg | 518 kg | 5.0 | 75.7 |
| | | 1362 lbs | 1142 lbs | | |
| MY1400N-251B | half-dice | 640 kg | 523 kg | 5.0 | 75.7 |
| | | 1411 lbs | 1152 lbs | | |

Order ice storage bin separately. Suffix of model "A" means air cooled condenser, Suffix of model "N" means water cooled condenser.

CleanAir™ Pack Slime Inhibitor



CleanAir™ Pack Accessory is patented technology that releases chlorine dioxide on a controlled basis to inhibit the growth of bacteria and fungi that form slime and cause odors in the food zone ice machines.

Easy Access Parts Of Water System



Water shield, distribution tube, pump, floats, and trough removable by hand

Easy Access Air Filter



Easy to clean, reusable air filter protects condenser from lint, grease and dust.