



## H240 Undercounter Ice Machines

### Models

HDF0240A-251Z

HDF0240A-251ZR

HYF0240A-251Z

HYF0240A-251ZR



U-240

- Up to 207 lbs (94 kg) of daily ice production
- Only 26" (66.04 cm) wide, 28.00" (71.12 cm) deep, and 30.16" (76.80cm) high on 2.99" (7.60cm) legs
- 80 lb. (36 kg) ice storage capacity

### Standard Features

CHOICE is designed to provide ice right where you need it -- within reach. Improvements in performance, intelligence, and convenience make your ice machine easy to own and less expensive to operate.

**Easy Access** – angled door provides a larger opening making ice more visible and easier to access

**Intelligence** – provides feedback with full bin and service indicators. Delay function allows you to pause your machine for slow periods or days when you're closed.

**Easy to Clean** - smooth, sealed food-zone with removable water trough, distribution tube, and damper door for faster cleaning.

**Installation** – the total height of machine is under 85cm (80cm optional) with perfection for undercounter installation



### Specifications

**BTU Per Hour:**  
2,400 (average)  
3,400 (peak)

**Compressor:**  
Nominal rating: 3/7 HP

**Refrigerant:**  
R404A

#### Operating Limits:

- Ambient Temperature Range: 4.4° to 43.3° C
- Water Temperature Range: 4.4° to 32.2° C
- Water Pressure Ice Maker Water In:  
Min. 20 psi (137.9 kPa)  
Max. 80 psi (551.1 kPa)

### Ice Machine Electric

**Power Cord:**  
220-240/50/1 ice machines are factory pre-wired with a 6' (180 cm) power cord only, no plug is supplied.

**Total Amps:**  
Air-cooled: 3.5 amps

**Maximum fuse size:**  
Air-cooled and Water-cooled: 10 amps  
HACR-type circuit breakers can be used in place of fuses.

### Ice Shape



#### Dice

7/8" x 7/8" x 7/8"  
(2.22 x 2.22 x 2.22 cm)



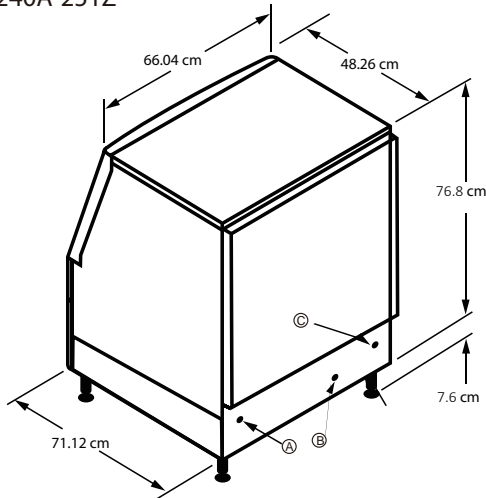
#### Half Dice

3/8" x 1 1/8" x 7/8"  
(.95 x 2.86 x 2.22 cm)





## HF240A-251Z



- Ⓐ Electrical Entrance
- Ⓑ 3/8" (0.95 cm) F.P.T. Ice Making Water Inlet
- Ⓒ 1/2" (1.27 cm) F.P.T. Ice Making Water Drain

**Installation Note** Recommended clearance for top, sides, and back is 5" (12.7 cm) however, there is no minimum clearance required.

## Space Saving Design



HF0240A-251Z



HF0240A-251ZR

Height	33.15" 84.40cm	31.38" 79.90 cm
Width	26.00" 66.04 cm	26.00" 66.04 cm
Depth	28.00" 71.12 cm	28.00" 71.12 cm
Ice Storage	79 lbs 36kg	79 lbs 36kg

The height of adjustable leg is 7.6cm, and optional roller with 3.1cm height is also available.

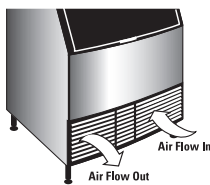
The only difference between HDF0240A-251Z and HDF0240A-251ZR is the height of machine.

## Specifications

Model	Ice Shape	Ice Production 24 Hours				Power kWh/ 100 lbs. @ 90°/70°F 32°/21°C	Potable water usage L/100 lbs. ice @90/70 °F
		70°Air/50°F Water 21°Air/10°C Water		90°Air/70°F Water 32°Air/21°C Water			
HDF0240A-251Z	Dice	188 lbs	85 kg	145 lbs	66 kg	8.23	53.78
HYF0240A-251Z	Half Dice	207 lbs	94 kg	164 lbs	74 kg	7.44	54.73

The suffix of model stands for air cooled.

### Air Flow



Air in right, air out left, no side vents. Great for installation under countertops and next to other equipment.

### Scoop



Scoop holder can be installed on both left and right sides of bin

### Air Filter



Simple, tool-free removal for quick access during routine cleaning and maintenance.