



H300 Undercounter Ice Machines

Models

HDF0300A-251Z

HDF0300A-251ZR



H-300

- Power**
- Delay**
- Clean**
- Full Bin**
- Service**

- Up to 292 lbs (132 kg) of daily ice production
- Only 26" (66.04 cm) wide, 28.00" (71.12 cm) deep, and 30.16" (76.80cm) high on 2.99" (7.60cm) legs
- 80 lb. (36 kg) ice storage capacity

Standard Features

CHOICE is designed to provide ice right where you need it -- within reach. Improvements in performance, intelligence, and convenience make your ice machine easy to own and less expensive to operate.

Easy Access – angled door provides a larger opening making ice more visible and easier to access

Intelligence – provides feedback with full bin and service indicators. Delay function allows you to pause your machine for slow periods or days when you're closed.

Easy to Clean - smooth, sealed food-zone with removable water trough, distribution tube, and damper door for faster cleaning.

Installation – the total height of machine is under 85cm (80cm optional) with perfection for undercounter installation



Specifications

3,800 (average) 6,000 (peak)

Compressor: Nominal rating: 3/7 HP

Refrigerant: R404A

Operating Limits:

- Ambient Temperature Range: 4.4° t o 43.3° C
- Water Temperature Range: 4.4° to 32.2° C
- Water Pressure Ice Maker Water In: Min. 20 psi (137.9 kPA) Max. 80 psi (551.1 kPA)

Ice Machine Electric

Power Cord:

220-240/50/1 ice machines are factory pre-wired with a 6' (180 cm) power cord only, no plug is supplied.

Total Amps:

Air-cooled: 5 amps

Maximum fuse size:

Air-cooled and Water-cooled: 10 amps
HACR-type circuit breakers can be used in place of fuses.

Ice Shape

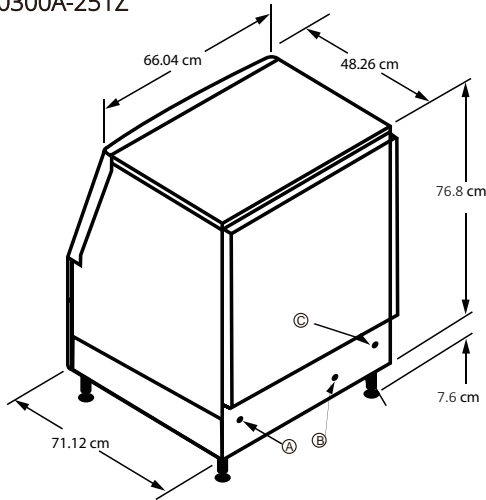


Dice
7/8" x 7/8" x 7/8"
(2.22 x 2.22 x 2.22 cm)





HDF0300A-251Z



- Ⓐ Electrical Entrance
- Ⓑ 3/8" (0.95 cm) F.P.T. Ice Making Water Inlet
- Ⓒ 1/2" (1.27 cm) F.P.T. Ice Making Water Drain

Installation Note Recommended clearance for top, sides, and back is 5" (12.7 cm) however, there is no minimum clearance required.

Space Saving Design



	HDF0300A-251Z	HDF0300A-251ZR
Height		
Width	33.15" 84.40 cm	31.38" 79.90 cm
Depth	26.00" 66.04 cm	26.00" 66.04 cm
Ice Storage	28.00" 71.12 cm	28.00" 71.12 cm
	79 lbs 36kg	79 lbs 36kg

The height of adjustable leg is 7.6cm, and optional roller with 3.1cm height is also available.

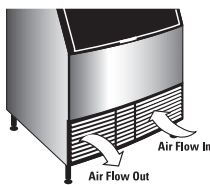
The only difference between HDF0300A-251Z and HDF03000A-251ZR is the height of machine.

Specifications

Model	Ice Shape	Ice Production 24 Hours				Power kWh/ 100 lbs. @ 90°/70°F 32°/21°C	Potable water usage L/100 lbs. ice @90/70 °F
		70°Air/50°F Water 21°Air/10°C Water		90°Air/70°F Water 32°Air/21°C Water			
HDF0300A-251Z	Dice	278lbs	126 kg	215 lbs	98 kg	13.47	57.5
HDF0300A-251ZR	Dice	278lbs	126 kg	215 lbs	98 kg	13.47	57.5

The suffix of model stands for air cooled.

Air Flow



Air in right, air out left, no side vents. Great for installation under countertops and next to other equipment.

Scoop



Scoop holder can be installed on both left and right sides of bin

Air Filter



Simple, tool-free removal for quick access during routine cleaning and maintenance.