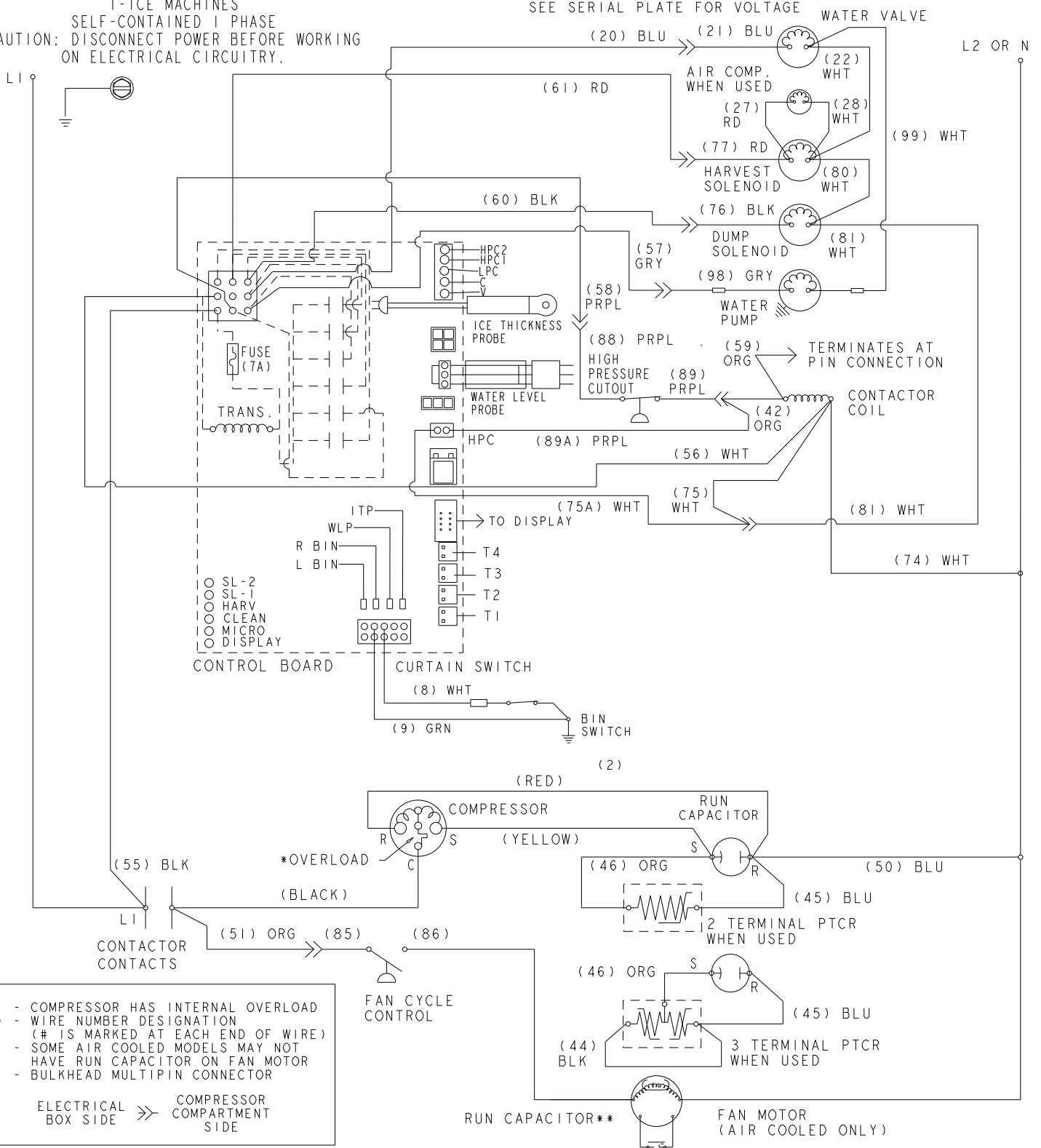


I-ICE MACHINES
 SELF-CONTAINED 1 PHASE
 CAUTION: DISCONNECT POWER BEFORE WORKING
 ON ELECTRICAL CIRCUITRY.

SEE SERIAL PLATE FOR VOLTAGE



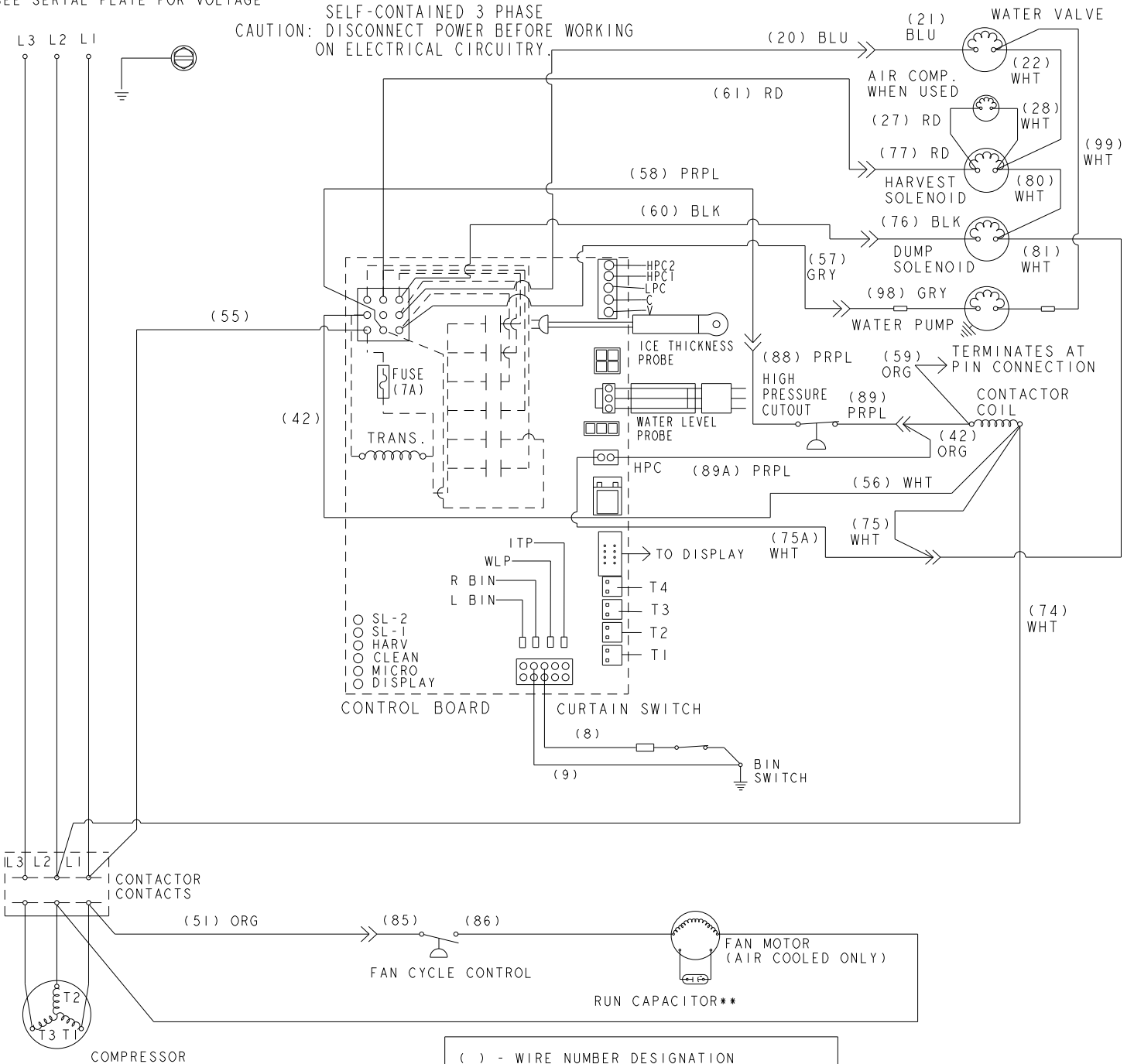
* - COMPRESSOR HAS INTERNAL OVERLOAD
 () - WIRE NUMBER DESIGNATION
 (# IS MARKED AT EACH END OF WIRE)
 ** - SOME AIR COOLED MODELS MAY NOT
 HAVE RUN CAPACITOR ON FAN MOTOR
 >>> - BULKHEAD MULTIPIN CONNECTOR

ELECTRICAL BOX SIDE >>> COMPRESSOR COMPARTMENT SIDE

SEE SERIAL PLATE FOR VOLTAGE

I-ICE MACHINES
 SELF-CONTAINED 3 PHASE
 CAUTION: DISCONNECT POWER BEFORE WORKING
 ON ELECTRICAL CIRCUITRY.

SEE SERIAL PLATE FOR VOLTAGE



() - WIRE NUMBER DESIGNATION
 (# IS MARKED AT EACH END OF WIRE)
 ** - SOME AIR COOLED MODELS MAY NOT
 HAVE RUN CAPACITOR ON FAN MOTOR
 >>> - BULKHEAD MULTIPIN CONNECTOR

ELECTRICAL BOX SIDE >>> COMPRESSOR COMPARTMENT SIDE

000007604
 REV. 03